



CAT6 UNSHIELDED KEYSTONE JACK

V-MAX SERIES

352 SERIES

DESCRIPTION

CAT6 V-Max Keystone Jack Unshielded -
Lifetime Warranty

FEATURES

- Color Coded for T568A and T568B standards
- Meets and Exceeds ANSI/TIA-568-C.2, ANSI/TIA 1096-A
- Supports PoE 802.3af, 802.3at, 802.3bt
- Fits most standard keystone wall plates and patch panels
- Narrow connector allows high port density in small areas
- Compatible with standard 110 punch down tool
- Use the V-Max I-Punch Tool for faster termination
- Available in various colors for easy identification
- RoHS Compliant
- Available in x25 Packs

SPECIFICATIONS

RJ45 JACK

Housing Material: ABS+PC UL 94V-0
Contact Bracket: PBT+Glass Fiber, UL 94V-0

RJ45 JACK CONTACT

Material: Phosphor Bronze with Nickel plating
Finish: 50 μ " Gold plating on Plug contact area

IDC

Housing: PC UL 94V-0 with Black color
Terminal: Phosphor Bronze with Tin plating
Cap: ABS+PC UL 94V-0
PCB: FR4, UL 94V-0

DIMENSIONS

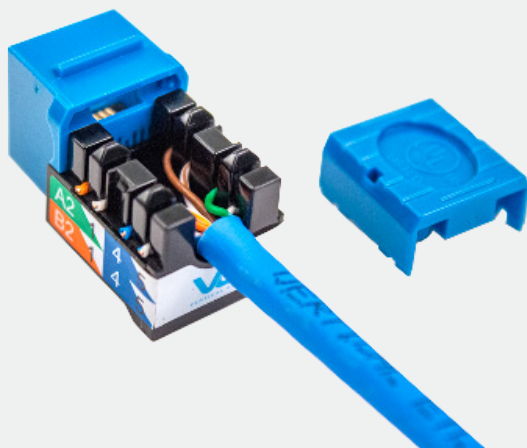
Height:	0.78 in. (19.75 mm)
Width:	0.67 in. (17 mm)
Depth:	1.22 in. (31.1 mm)
Weight (Single Jack):	0.04 lb. (0.02 kg)
Weight (25 Pack):	0.5 lb. (0.23 kg)

PERFORMANCE

Color Code: T568A & T568B wiring
Insertion Force: 20N max. (IEC 60603-7-3)
Retention Force: 17 lb. (7.7 kg) between jack and plug
Operating Temperature: -10° C to 60° C max. (ISO/IEC 11801, ANSI/TIA 568)

OPERATING LIFE (MATING CYCLES)

Jack: Min. 750 cycles
Max. 1500 cycles
(ISO/IEC 11801, IEC 60603-7-3)
IDC: Suitable for 23 and 24 AWG solid wire



Florida (HQ)
800-749-2447

California
951-696-7772

New York
845-391-8318

Texas
713-322-7242

verticalcable.com

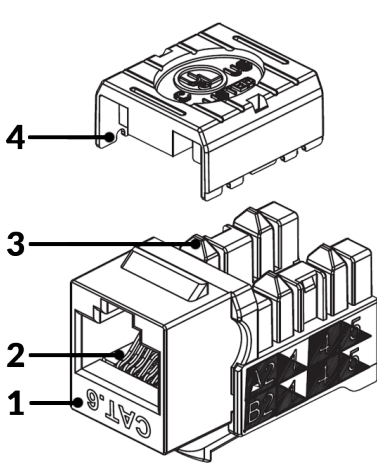
This specification sheet is subject to change without notice.



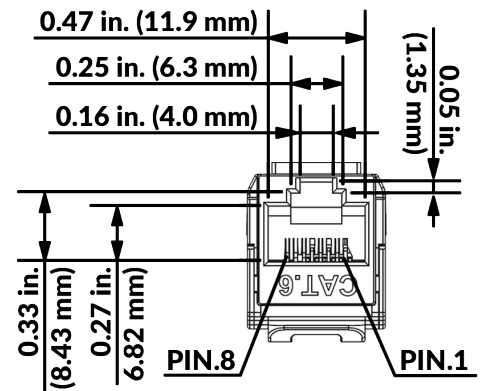
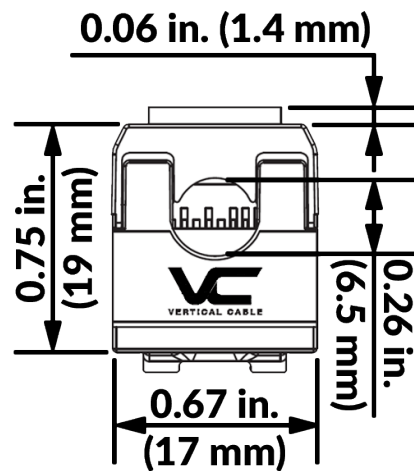
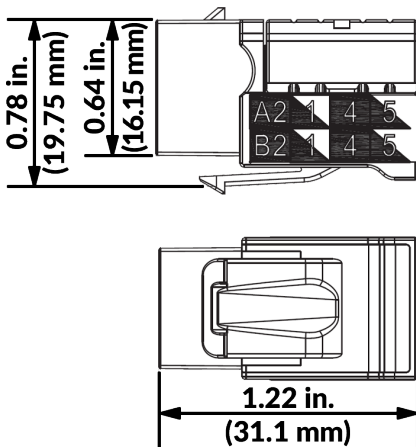
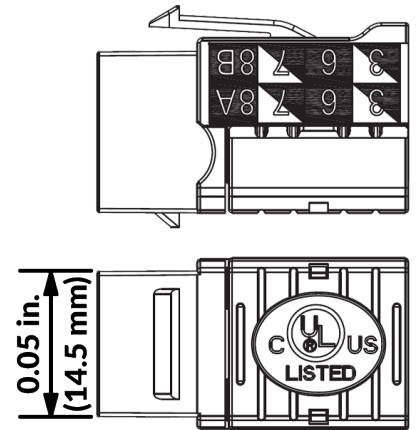
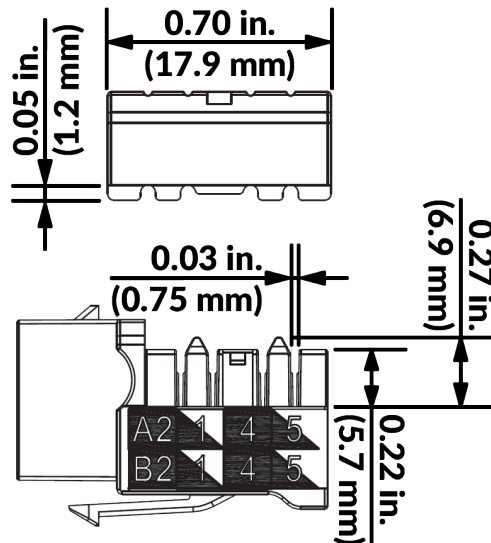
Rev. 05/2026



SINGLE-PACK PART NUMBERS	25-PACK PART NUMBERS
352-V2712/AL (Almond)	352-V2701/AL/25 (Almond)
352-V2713/BK (Black)	352-V2702/BK/25 (Black)
352-V2714/BL (Blue)	352-V2703/BL/25 (Blue)
352-V2723/BW (Bright White)	352-V2700/BW/25 (Bright White)
352-V2715/GR (Green)	352-V2704/GR/25 (Green)
352-V2716/GY (Grey)	352-V2705/GY/25 (Grey)
352-V2717/IV (Ivory)	352-V2706/IV/25 (Ivory)
352-V2718/OR (Orange)	352-V2707/OR/25 (Orange)
352-V2719/PR (Purple)	352-V2708/PR/25 (Purple)
352-V2720/RD (Red)	352-V2709/RD/25 (Red)
352-V2721/WH (White)	352-V2710/WH/25 (White)
352-V2722/YL (Yellow)	352-V2711/YL/25 (Yellow)



SCALE 1/1



Florida (HQ)
800-749-2447

California
951-696-7772

New York
845-391-8318

Texas
713-322-7242

verticalcable.com

This specification sheet is subject to change without notice.



RoHS

Rev. 05/2026