



**VERTICAL CABLE**

# CAT5E UNSHIELDED KEYSTONE JACK

V-MAX SERIES

## 351 SERIES

### DESCRIPTION

**CAT5E V-Max Keystone Jack Unshielded - Lifetime Warranty**

### FEATURES

- Color Coded for T568A and T568B standards
- Meets and Exceeds ANSI/TIA-568-C.2, ANSI/TIA 1096-A
- Supports PoE 802.3af, 802.3at, 802.3bt
- Fits most standard keystone wall plates and patch panels
- Narrow connector allows high port density in small areas
- Compatible with standard 110 punch down tool
- Use the V-Max I-Punch Tool for faster termination
- Available in various colors for easy identification
- RoHS Compliant
- Available in x25 Packs

### SPECIFICATIONS

#### RJ45 JACK

Housing Material: ABS+PC UL 94V-0  
 Contact Bracket: PBT+Glass Fiber, UL 94V-0

#### RJ45 JACK CONTACT

Material: Phosphor Bronze with Nickel plating  
 Finish: 50 μ" Gold plating on Plug contact area

#### IDC

Housing: PC UL 94V-0 with Black color  
 Terminal: Phosphor Bronze with Tin plating  
 Cap: ABS+PC UL 94V-0  
 PCB: FR4, UL 94V-0

### DIMENSIONS

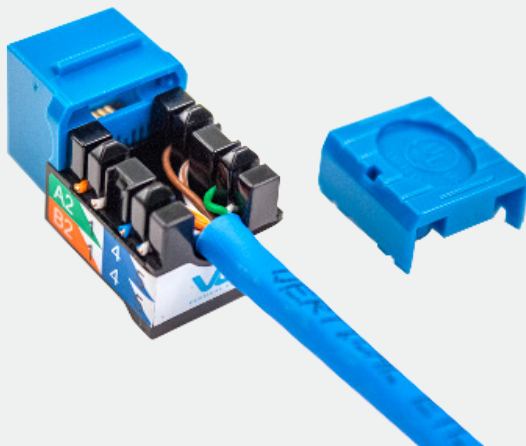
Height:	0.78 in. (19.75 mm)
Width:	0.67 in. (17 mm)
Depth:	1.22 in. (31.1 mm)
Weight (Single Jack):	0.04 lb. (18.14 g)
Weight (25 Pack):	0.5 lb. (226.8 g)

### PERFORMANCE

Color Code: T568A & T568B wiring  
 Insertion Force: 20N max. (IEC 606037-3)  
 Retention Force: 17 lb. (7.7 kg) between jack and plug  
 Operating Temperature: -10° C to 60° C max. (ISO/IEC 11801, ANSI/TIA 568)

### OPERATING LIFE (MATING CYCLES)

Jack: Min. 750 cycles  
 Max. 1500 cycles  
 (ISO/IEC 11801, IEC 60603-7-3)  
 IDC: Suitable for 23 and 24 AWG solid wire



Florida (HQ)  
800-749-2447

California  
951-696-7772

New York  
845-391-8318

Texas  
713-322-7242

[verticalcable.com](http://verticalcable.com)

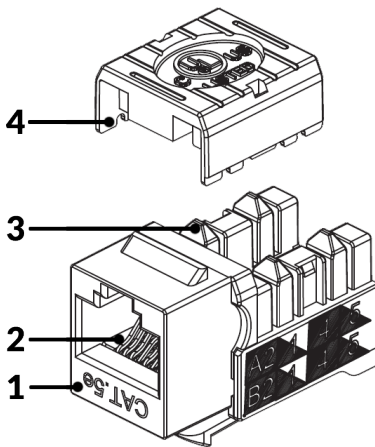
This specification sheet is subject to change without notice.



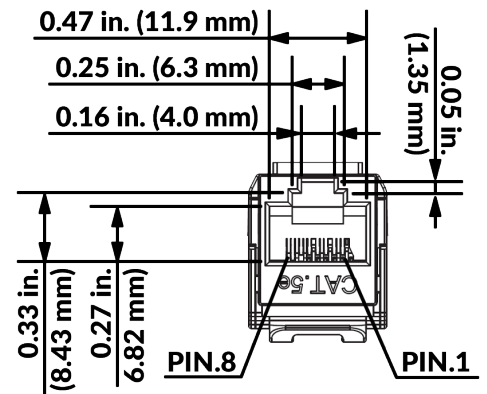
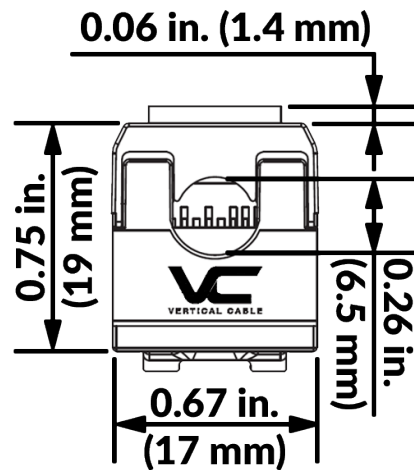
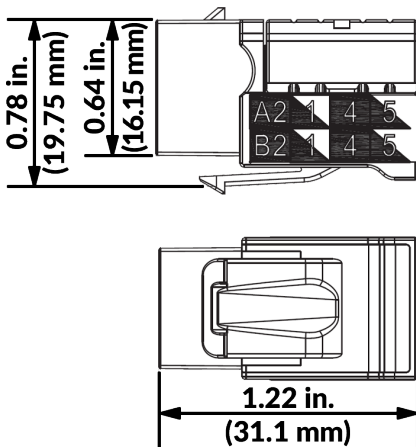
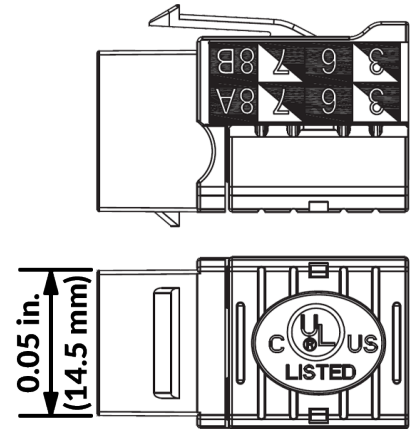
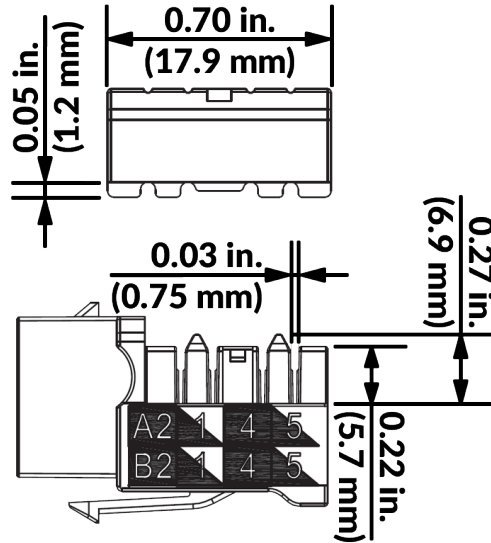
Rev. 05/2026



SINGLE-PACK PART NUMBERS	25-PACK PART NUMBERS
351-V2612/AL (Almond)	351-V2601/AL/25 (Almond)
351-V2613/BK (Black)	351-V2602/BK/25 (Black)
351-V2614/BL (Blue)	351-V2603/BL/25 (Blue)
351-V2615/GR (Green)	351-V2604/GR/25 (Green)
351-V2616/GY (Grey)	351-V2605/GY/25 (Grey)
351-V2617/IV (Ivory)	351-V2606/IV/25 (Ivory)
351-V2618/OR (Orange)	351-V2607/OR/25 (Orange)
351-V2619/PR (Purple)	351-V2608/PR/25 (Purple)
351-V2620/RD (Red)	351-V2609/RD/25 (Red)
351-V2621/WH (White)	351-V2610/WH/25 (White)
351-V2622/YL (Yellow)	351-V2611/YL/25 (Yellow)



SCALE 1/1



Florida (HQ)  
800-749-2447

California  
951-696-7772

New York  
845-391-8318

Texas  
713-322-7242

[verticalcable.com](http://verticalcable.com)

This specification sheet is subject to change without notice.



RoHS

Rev. 05/2026