

# CAT3 UNSHIELDED KEYSTONE JACK (V-MAX Series)



## DESCRIPTION

**Category 3 V-Max Keystone Jack  
Unshielded - TAA-Compliant  
Lifetime Warranty**

## FEATURES

- Color Coded for T568A and T568B standards
- Meets and Exceeds ANSI/TIA-568-C.2, ANSI/TIA 1096-A
- Supports PoE 802.3af, 802.3at, 802.3bt
- Meets and Exceeds ANSI/TIA-568-C.2
- Fits most standard keystone wall plates and patch panels
- Narrow connector allows high port density in small areas
- Compatible with standard 110 punch down tool
- Use the V-Max I-Punch Tool for faster termination
- Available in various colors for easy identification
- UL Listed, RoHS Compliant, TAA Compliant
- Available in x25 Packs



## 350 Series

Height	Width	Depth	Weight (Single Jack)	Weight (25 Pack)
0.78 in.	0.67 in.	1.22 in.	0.04 lb.	0.5 lb.

## SPECIFICATIONS

### RJ45 JACK

Housing Material: ABS+PC UL 94V-0  
Contact Bracket: PBT+Glass Fiber, UL 94V-0

### RJ45 JACK CONTACT

Material: Phospor Bronze with Nickel plating  
Finish: 50 μ" Gold plating on Plug contact area

### IDC

Housing: PC UL 94V-0 with Black color  
Terminal: Phospor Bronze with Tin plating  
Cap: ABS+PC UL 94V-0  
PCB: FR4, UL 94V-0

## PERFORMANCE

Color Code: T568A & T568B wiring  
Insertion Force: 20N max. (IEC 606037-3)  
Retention Force: 17 lb (7.7 kg) between jack and plug  
Operating Temp.: -10° C to 60° C max (ISO/IEC 11801, ANSI/TIA 568 C.2)

## OPERATING LIFE (MATING CYCLES)

Jack: Min. 750 cycles  
Max. 1500 cycles (ISO/IEC 11801, IEC 60603-7-3)  
IDC: Suitable for 23 and 24 AWG solid wire

## COLORS AVAILABLE

Almond, Ivory, White



**VERTICAL CABLE**

951.696.7772 California  
800.749.2447 Florida  
845.391.8318 New York  
713.322.7242 Texas

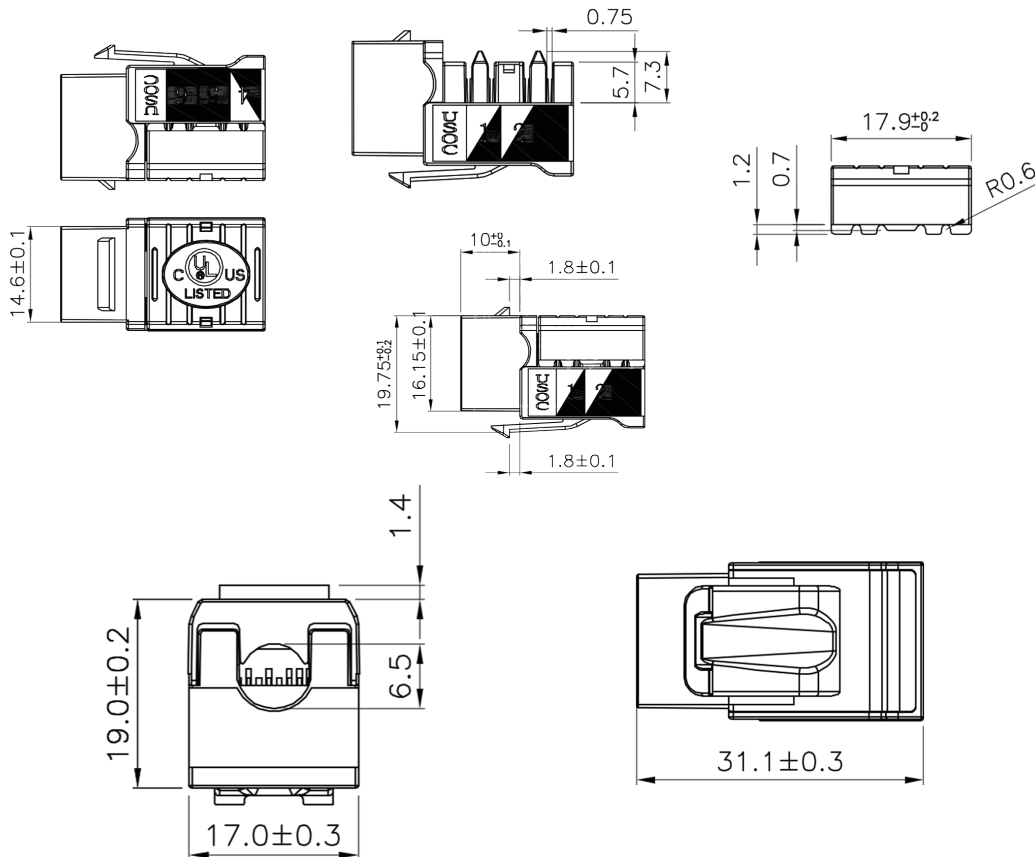
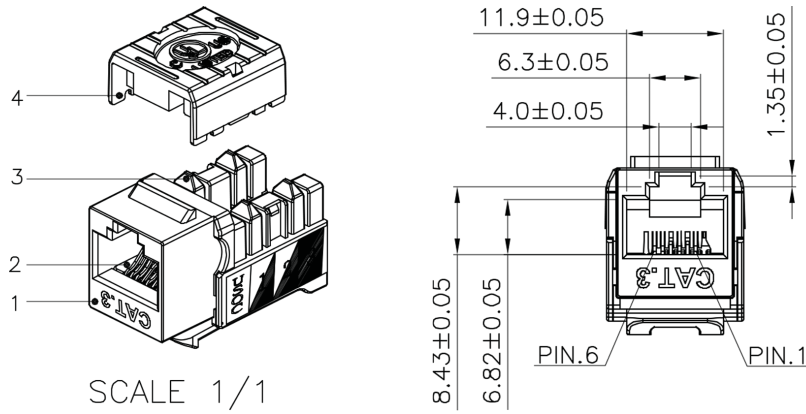


[verticalcable.com](http://verticalcable.com)

Rev. 06/2025

Subject to change without notice.

# CAT3 UNSHIELDED KEYSTONE JACK (V-MAX Series)



## VERTICAL CABLE

951.696.7772 California  
800.749.2447 Florida  
845.391.8318 New York  
713.322.7242 Texas



[verticalcable.com](http://verticalcable.com)

Rev. 06/2025

Subject to change without notice.