



VERTICAL CABLE

VENTED SLIDING SHELF

1 RMU | 19 IN

047-WSS-3551

DESCRIPTION

1 RMU, 19 in. Vented Sliding Shelf

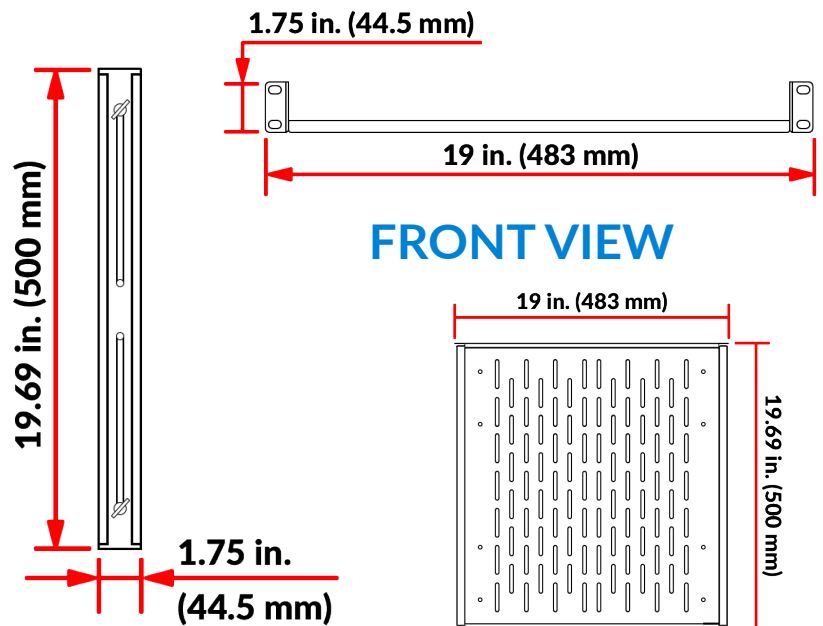
FEATURES

- Fits standard 4-post 19-inch racks
- Vented design for improved airflow
- High-quality SPCC cold rolled steel construction
- Includes 8× sets of M6 screws, washers, and cage nuts
- Adjustable depth from 19 to 36 inches
- Suitable for network equipment and components
- Supports up to 44 lbs. load capacity
- Weight: 10 lb. (4.54 kg)



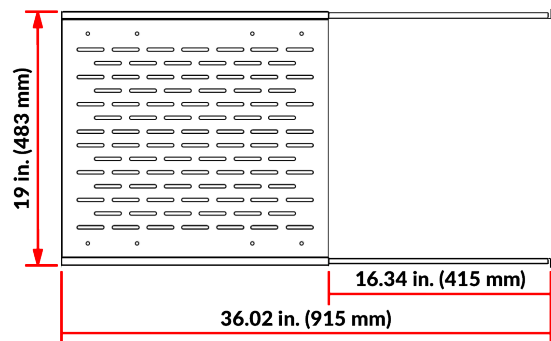
DIMENSIONS

Height:	1.75 in. (44.5 mm)
Width:	19 in. (483 mm)
Mounting Depth:	19.69 in. (500 mm)
Total Depth:	36.02 in. (915 mm)
Color:	Black



SIDE VIEW

TOP VIEW



TOP VIEW (EXTENDED)

Florida (HQ)
800-749-2447

California
951-696-7772

New York
845-391-8318

Texas
713-322-7242

verticalcable.com

This specification sheet is subject to change without notice.

Rev. 05/2026