

STANDARD CABLE TIES

8-15" - 50 LB TENSILE STRENGTH



045-CT/50 SERIES

Product Number	Description
045-CT/50/8BK	8 in. Standard Cable Ties, Black
045-CT/50/8NT	8 in. Standard Cable Ties, Natural
045-CT/50/12BK	12 in. Standard Cable Ties, Black
045-CT/50/12NT	12 in. Standard Cable Ties, Natural
045-CT/50/15BK	15 in. Standard Cable Ties, Black
045-CT/50/15NT	15 in. Standard Cable Ties, Natural

DESCRIPTION

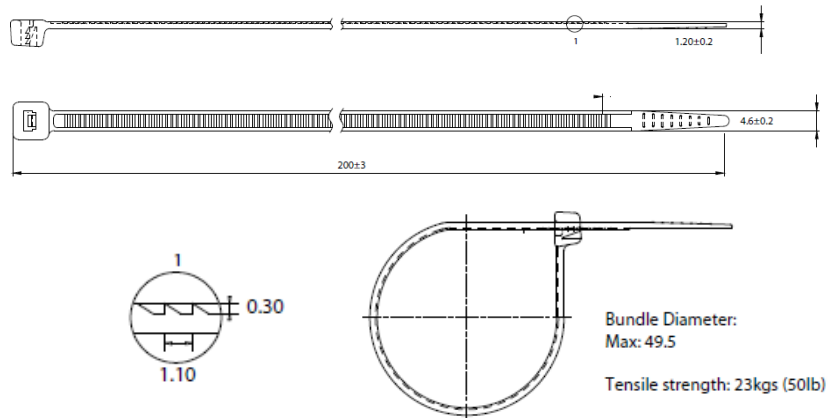
8-15 in. Cable Ties, 50 lb Tensile Strength, 100 Pack, Natural or Black

FEATURES

- 8-15 in. Standard Cable Ties
- 50 lb Tensile Strength
- Inside serrations allow for strong hold on cables and wire bundles
- Head design provides high tensile strength with low insertion force
- Bent tail ensures a quick and simple insertion
- Made from PA66 material for longer lasting
- For Indoor and Outdoor use
- UL Listed, RoHS Compliant
- Supplied in 100 Pack

SPECIFICATION

Max Tensile Strength:	50 lb (22.7 kg)
Length:	
045-CT/50/8:	8 in. (203.2 mm)
045-CT/50/12:	12 in. (304.8 mm)
045-CT/50/15:	15 in. (381 mm)
Width:	0.18 in. (4.6 mm)
Thickness:	0.04 in. (1.0 mm)
Bundle Diameter	
Min.:	0.06 in. (1.5 mm)
Max.:	3.2 in. (81.0 mm)
Weight:	0.45 lb (0.20 kg)
Colors:	Black or Natural
Flammability:	UL94V2
Operating Temperature	
Min.:	-40 °C
Max.:	85 °C
Material:	Polyamide 6.6 (PA66)



VERTICAL CABLE

951.696.7772 California
800.749.2447 Florida
845.391.8318 New York
713.322.7242 Texas



verticalcable.com

Rev. 05/2026

Subject to change without notice.