



VERTICAL CABLE

J-HOOKS

WALL-MOUNT | GALVANIZED STEEL 3/4" - 4"

048-SERIES

DESCRIPTION

J-Hooks, Wall-Mount w/ Retainer Clip

FEATURES

- Durable 1.2mm G60 pre-galvanized steel with rust-resistant zinc coating
- Supports communication cables and other low voltage wires
- Easy installation to any wall/surface
- Load capacity: 60 lbs (see Load and Mechanical capacity chart on pg. 3)
- Steel thickness: 0.05 in. (1.35 mm)
- Max burr: 0.005 in. (0.127 mm)
- Available in the following sizes: 3/4", 1-5/16", 2" and 4" diameters
- Master box quantity: 100 pieces



PART NUMBERS	DESCRIPTION
048-140/34	3/4 in. J-Hook, Standard, Wall-Mount (No Clip Included)
048-139/16	1-5/16 in. J-Hook, Standard, Wall-Mount w/ Clip
048-141/20	2 in. J-Hook, Standard, Wall-Mount w/Clip
048-14240	4 in. J-Hook, Standard, Wall-Mount w/ Clip

CONSTRUCTION

Hook Diameter:

048-140/34	0.75 in. (19.05 mm)
048-139/16	1.3125 in. (33.34 mm)
048-141/20	2 in. (50.80 mm)
048-142/40	4 in. (101.60 mm)

Height:

048-140/34	3.10 in. (78.80 mm)
048-139/16	4.22 in. (107.30 mm)
048-141/20	4.65 in. (118 mm)
048-142/40	7.01 in. (178 mm)

Width:

048-140/34	0.87 in. (22 mm)
048-139/16	1.34 in. (34.10 mm)
048-141/20	1.38 in. (35 mm)
048-142/40	1.93 in. (49 mm)

Weight:

048-140/34	0.05 lb (22.68 g)
048-139/16	0.12 lb (56.50 g)
048-141/20	0.16 lb (72.57 g)
048-142/40	0.44 lb (199.58 g)

Thickness:

0.053 in. (1.35 mm)

Hole Diameter:

0.28 in. (7 mm)

Florida (HQ)
800-749-2447

California
951-696-7772

New York
845-391-8318

Texas
713-322-7242

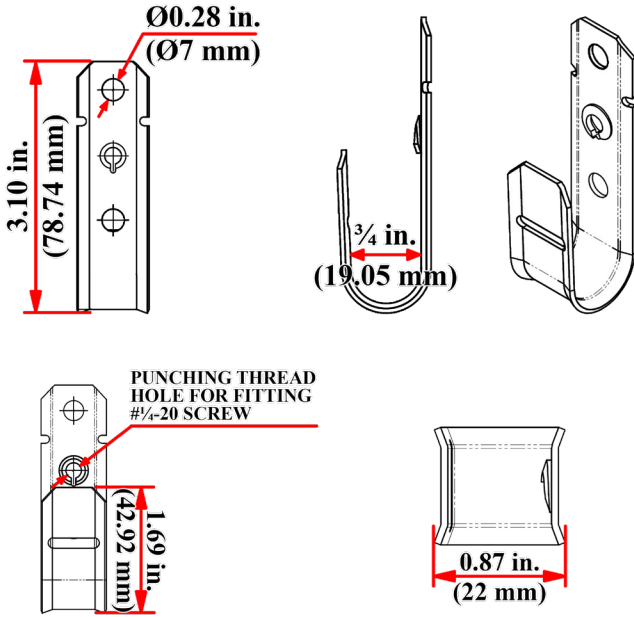
verticalcable.com

This specification sheet is subject to change without notice.

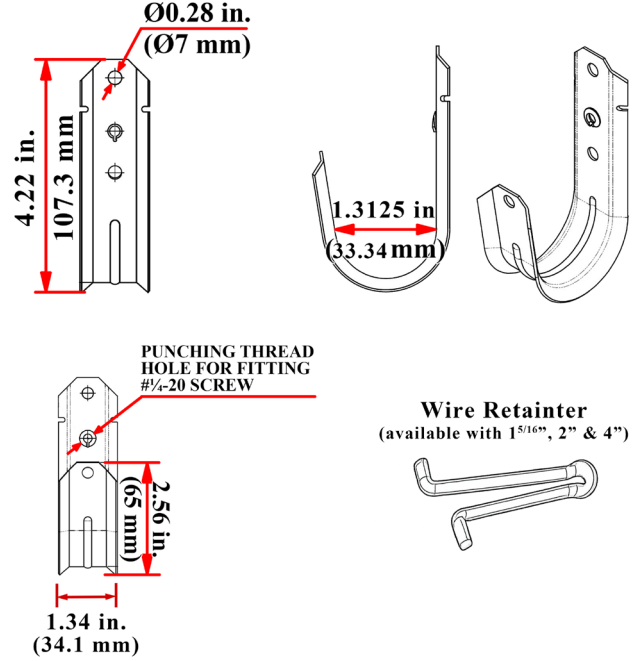


RoHS LISTED
Rev. 03/2026

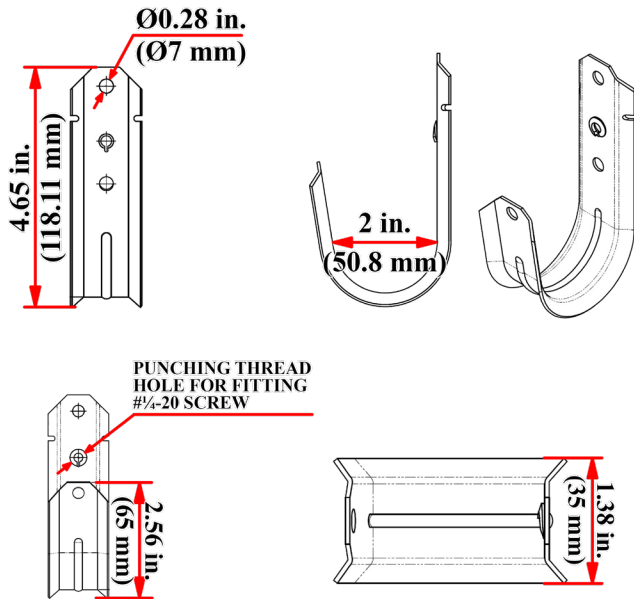
048-140/34



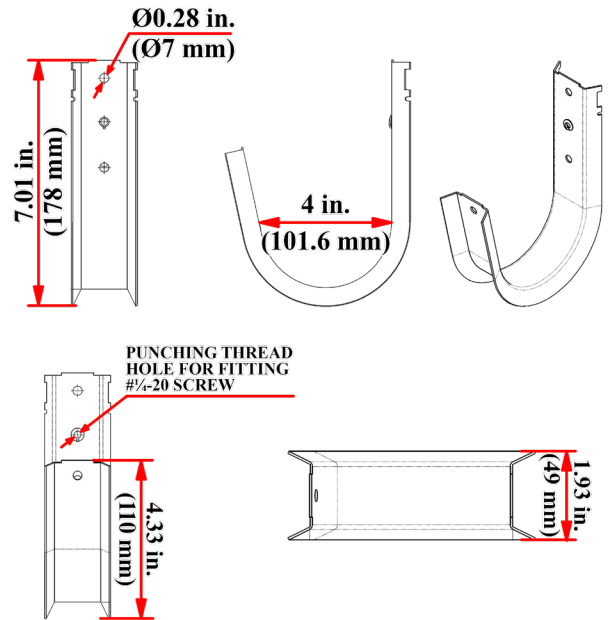
048-139/16



048-141/20



048-142/40



Florida (HQ)
800-749-2447

California
951-696-7772

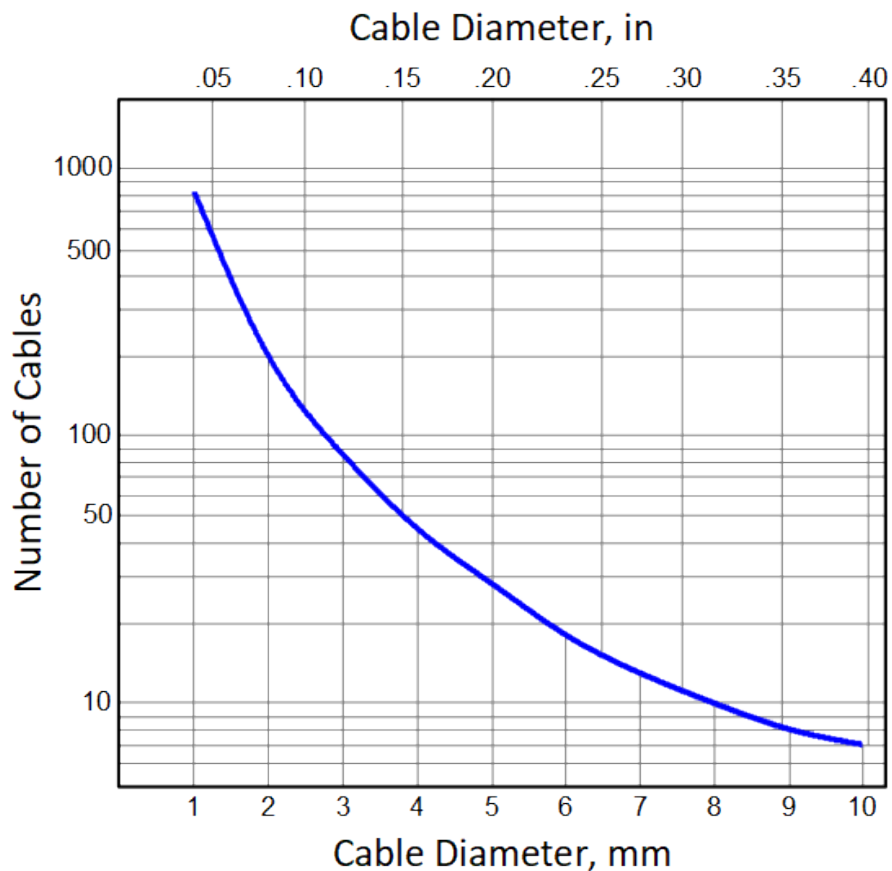
New York
845-391-8318

Texas
713-322-7242

verticalcable.com

This specification sheet is subject to change without notice.





NOTE: The capacity chart provided above shows maximum possible values calculated based on the geometry parameters of the J-hooks. In real life installations, due to imperfection of cable bundles and variable paths cables take within the bundles, actual J-hook's capacity could be lower and reach 50 % of the maximum as the worst-case scenario, the uncertainty grows as the number of cables placed on the J-hook grows. Typical recommended quantity reduction should be 25 % against the values provided in the graphs.

Florida (HQ)
800-749-2447

California
951-696-7772

New York
845-391-8318

Texas
713-322-7242

verticalcable.com

This specification sheet is subject to change without notice.



RoHS LISTED
Rev. 03/2026

