

# 30 AWG HIGH SPEED HDMI 2.0 WITH ETHERNET (CL3) GOLD PLATED



## DESCRIPTION

Premium HDMI 2.0, Type-A Gold Plated, with Ethernet. 4K - 60 Hz Refresh Rate. CL3 Rated for In-Wall Installations.

## FEATURES

- High Speed HDMI Certified Cable
- Gold Plated Contacts, Type-A 19 pin
- CL3 Rated for In-wall installations
- 18 Gbps, 2160P - UHD/HDR/3D/ARC
- 4K - 60 Hz Refresh Rate
- RoHS Compliant
- HDCP Compliant
- UL Listed



## 242-30AWG Series

Part Number:	Description:	Length:
242-030/3FT	HDMI 2.0 Ultra HD 4K 60HZ / 3D, Gold-Plated 3 FT	3 FT (914 mm)
242-032/6FT	HDMI 2.0 Ultra HD 4K 60HZ / 3D, Gold-Plated 6 FT	6 FT (1829 mm)
242-034/10FT	HDMI 2.0 Ultra HD 4K 60HZ / 3D, Gold-Plated 10 FT	10 FT (3048 mm)

### MECHANICAL

Connector: 19 Pin Male  
Contacts: Gold Plated

### JACKET CONSTRUCTION

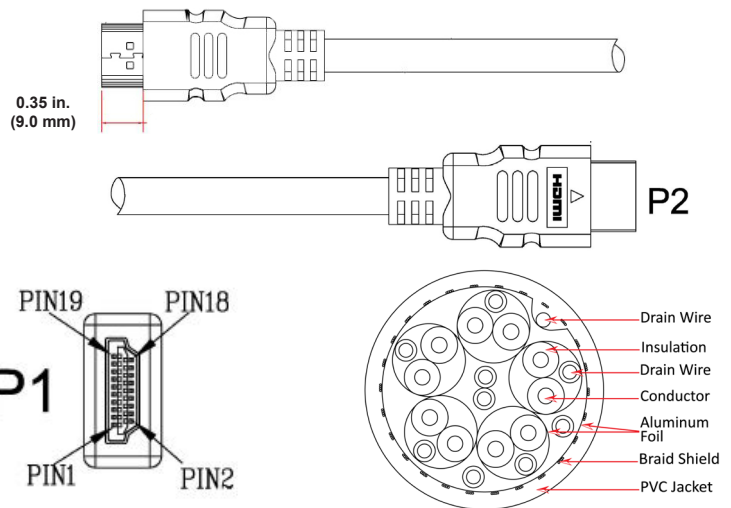
Material: Polyvinyl Chloride (PVC)  
Size: 30 AWG  
Outer Diameter: 0.24 in. (6.0 +/- 0.15 mm)  
Color: Black  
Lengths: 3 ft. (914 mm), 6 ft. (1829 mm), 10 ft. (3048 mm)  
Drain Wire: 1C/0.32BC + HDPE  
Drain Wire Outer Diameter: 0.02 in. (0.55 mm)  
Conductors: 1C/0.254BC  
Braid Shield: 16#/5/0.12AM

### ELECTRICAL TEST

Open Short, Miss Wire Test: 100%  
Contact Resistance: 3 Ohm/Max  
Insulation Resistance: 5 M Ohm/Min  
Hi-Pot Test: DC 300V/10ms  
4K@60Hz Test: Pass  
Dielectric Strength: 150V AC/Sec, 1mA

### JACKET MARKING:

HIGH SPEED HDMI® CABLE WITH ETHERNET E358026 AWM STYLE 20276 80°C 30V VW-1



**VERTICAL CABLE**

951.696.7772 California  
800.749.2447 Florida  
845.391.8318 New York  
713.322.7242 Texas



verticalcable.com

Rev. 03/2025

Subject to change without notice.