

28 AWG HIGH SPEED HDMI 2.0 WITH ETHERNET (CL3) GOLD PLATED



242-28AWG Series

Part Number:	Description:	Length:
242-037/15FT	HDMI 2.0 Ultra HD 4K 60HZ / 3D, Gold-Plated 15 FT	15 FT (4572 mm)
242-038/25FT	HDMI 2.0 Ultra HD 4K 60HZ / 3D, Gold-Plated 25 FT	25 FT (7620 mm)

DESCRIPTION

Premium HDMI 2.0, Type-A Gold Plated, with Ethernet. 4K - 60 Hz Refresh Rate. CL3 Rated for In-Wall Installations.

FEATURES

- High Speed HDMI Certified Cable
- Gold Plated Contacts, Type-A 19 pin
- CL3 Rated for In-wall installations
- 18 Gbps, 2160P - UHD/HDR/3D/ARC
- 4K - 60 Hz Refresh Rate
- RoHS Compliant
- HDCP Compliant
- UL Listed



MECHANICAL

Connector: 19 Pin Male
Contacts: Gold Plated

JACKET CONSTRUCTION

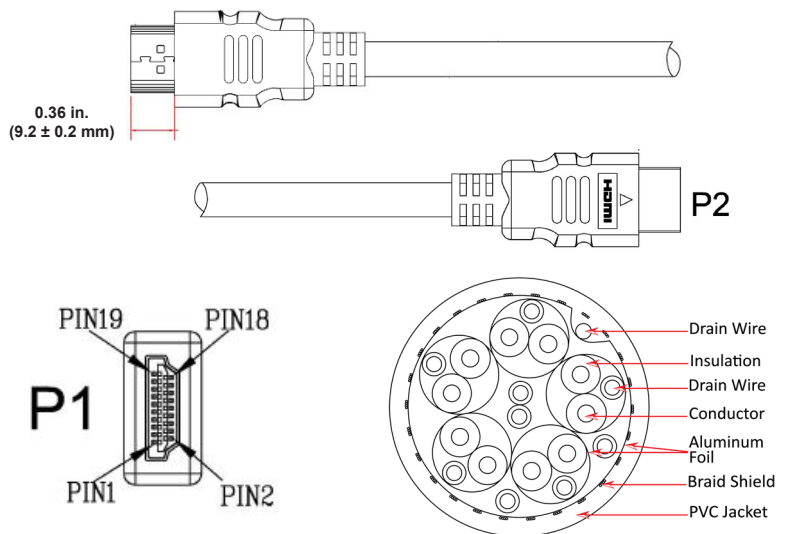
Material: Polyvinyl Chloride (PVC)
Size: 28 AWG
Outer Diameter: 0.35 in. (7.30 +/- 0.2 mm)
Color: Black
Lengths: 15 ft. (4572 mm), 25 ft. (7620 mm)
Drain Wire: 1C/0.32BC + HDPE
Drain Wire Outer Diameter: 0.03 in. (0.65 mm)
Conductors: 1C/0.32BC
Braid Shield: 16#/8C/0.12AM

ELECTRICAL TEST

Open Short, Miss Wire Test: 100%
Contact Resistance: 10 Ohm/Max
Insulation Resistance: 5 M Ohm/Min
Hi-Pot Test: DC 300V/10ms
4K@60Hz Test: Pass
Dielectric Strength: 150V AC/Sec, 1mA

JACKET MARKING:

HIGH SPEED HDMI® CABLE WITH ETHERNET E358133 (UL) TYPE CL3
28AWG-----AWM 20276 80°C 30V VW-1



VERTICAL CABLE

951.696.7772 California
800.749.2447 Florida
845.391.8318 New York
713.322.7242 Texas



verticalcable.com

Rev. 03/2025

Subject to change without notice.