

RG59 F-TYPE CONNECTOR

BNC COMPRESSION TYPE

FOR STANDARD SHIELD PLENUM COAX



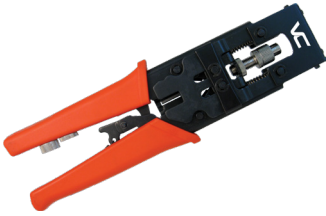
DESCRIPTION

RG59 BNC Compression F-Type Connector.
Compatible with RG59 Standard Shield Plenum Coax Cable.

FEATURES

- F-Type Male connector for Standard Shield RG59 Plenum Coax Cable.
- Red plastic identifier ring
- BNC Compression Type
- 25 per pack (Can be bought Individually)
- Suitable for use in the CCTV, Structured Cabling, Home Theater, Audio & Video Entertainment.

TOOLS



Compression/Crimping Tool
078-1018

083-1045/PCPBNC

PHYSICAL SPECIFICATIONS

Body Material:	Brass Nickel Plated
Connector Material:	Gold-Plated
O-Ring:	Ethylene Propylene
Connector Type:	F-Type Male Coax BNC
Termination Type:	Compression
Color Code:	Red
Outer Diameter:	0.43 in. (11 mm)
RG6 Inner Diameter:	0.27 in. (7 mm)

MECHANICAL

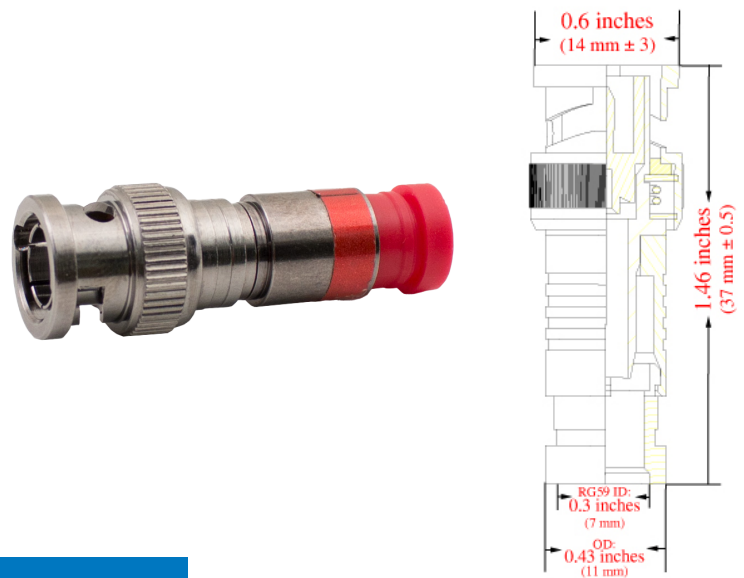
Operating Temperature:	-40°F (-40°C) to 140°F (60°C)
ANSI/SCTE/143/2007:	Passes 1000 Hours
RFI Shielding:	-85 dB (60% Bonded Foil)
Nom Impedance:	75 Ohm
Return Loss:	DC-1 GHz 31 dB Return Loss 1.05 VSWR DC-2 GHz 26 dB Return Loss 1.09 VSWR DC-3 GHz 21 dB Return Loss 1.18 VSWR
Locking:	No
Cable Pullout Force:	≥ 40 lb (18 kg)

CABLE SIZE LIMITS

Conductor Diameter:	0.0317 in. - 0.0339 in. (0.8 mm - 0.86 mm)
Dielectric Diameter:	0.144 in. - 0.157 in. (3.66 mm - 3.99 mm)
Outer Jacket Diameter:	0.232 in. - 0.273 in. (5.9 mm - 6.93 mm)

WEIGHT

0.05 lb (0.0226 kg)



VERTICAL CABLE

951.696.7772 California
800.749.2447 Florida
845.391.8318 New York
713.322.7242 Texas

verticalcable.com

Rev. 03/2025

Subject to change without notice.