

RG11 F-TYPE CONNECTOR

COMPRESSION TYPE

FITS STANDARD & QUAD SHIELD COAX



DESCRIPTION

RG11 Compression F-Type Connector. Compatible with both Standard Shield and Quad Shield Coax Cable.

FEATURES

- F-Type Male connector for Standard & Quad Shield RG11 Coax Cable.
- White plastic identifier ring
- Compression Type Connector
- 50 per pack (Can be bought Individually)
- Suitable for use in the CCTV, Structured Cabling, Home Theater, Audio & Video Entertainment.

TOOLS



Compression Tool
078-1019

083-1044/CPRG11

PHYSICAL SPECIFICATIONS

Body Material:	Brass Nickel Plated
Connector Type:	F-Type Male Coax
Style:	Compression
Color Code:	White
Outer Diameter:	0.43 in. (11 mm)
RG6 Inner Diameter:	0.27 in. (7 mm)

MECHANICAL

Nom Impedance:	75 Ohm
Return Loss:	DC-1 GHz 31 dB Return Loss 1.05 VSWR DC-2 GHz 26 dB Return Loss 1.09 VSWR DC-3 GHz 21 dB Return Loss 1.18 VSWR

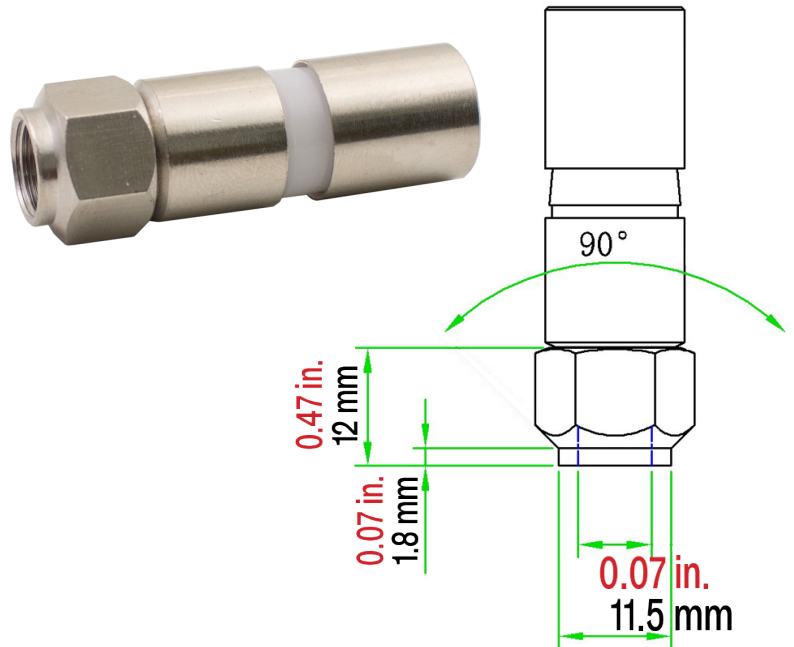
Locking:	No
Cable Pullout Force:	≥ 40 lb (18 kg)

CABLE SIZE LIMITS

Conductor Diameter:	0.040 in. - 0.042 in. (1.02 mm - 1.07 mm)
Dielectric Diameter:	0.166 in. - 0.172 in. (4.19 mm - 4.37 mm)
Outer Jacket Diameter:	0.220 in. - 0.250 in. (5.59 mm - 6.35 mm)

WEIGHT

0.05 lb (0.0226 kg)



VERTICAL CABLE

951.696.7772 California
800.749.2447 Florida
845.391.8318 New York
713.322.7242 Texas

verticalcable.com

Rev. 03/2025

Subject to change without notice.