

SURFACE MOUNT BOX WITH 1-PORT CAT6 RJ45 JACK



DESCRIPTION

1-Port Surface Mount Box with a CAT6 RJ45 built-in jack, White, 50 pack.

FEATURES

- High-impact ABS construction
- Screws, ties and adhesive tape included
- Can be terminated with 110 or Krone type tools
- UL 94V-0 Fire Retardant
- Gloss finish
- UL listed
- ISO/IEC 11801, ANSI/TIA-568.2-D Compliant



038-356IV

SPECIFICATIONS

MATERIAL

Case:	ABS, UL 94V-0
RJ45 Jack Housing:	PBT+Glass Fiber, UL 94V-0
Contact Bracket:	PBT+Glass Fiber, UL 94V-0

RJ45 JACK CONTACT

Material:	Phosphor Bronze with Nickel plating
Finish:	50 μ" Gold plating on Plug contact area

IDC

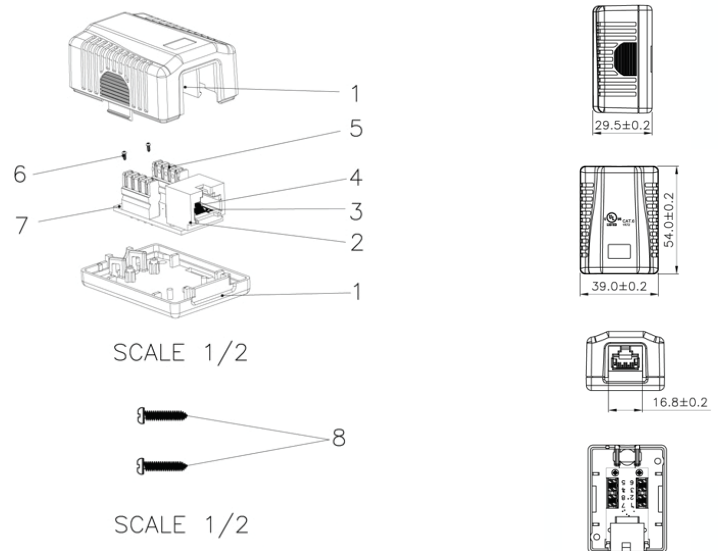
Housing:	PC + Glass Fiber, UL 94V-2
Terminal:	Phosphor Bronze with Tin plating

PCB

Screw:	M3.5 x 16.0 x ø 6.0mm
Screw:	M2.0 x 6.0 x ø 3.3mm
Insertion Force:	20N max. (IEC 60603-7-4)
Retention Force:	17 lb (7.7 kg) between jack and plug
Operating Temp.:	-10° C to 60° C max

PERFORMANCE

Meets or exceeds ISO/IEC 11801, ANSI/TIA-568.2-D



VERTICAL CABLE

951.696.7772 California
800.749.2447 Florida
845.391.8318 New York
713.322.7242 Texas



verticalcable.com

Rev. 03/2025

Subject to change without notice.