

# SURFACE MOUNT BOX WITH 1-PORT CAT5E RJ45 JACK



## DESCRIPTION

1-Port Surface Mount Box with a CAT5E RJ45 built-in jack, White

## FEATURES

- High-impact ABS construction
- Screws, ties and adhesive tape included
- Can be terminated with 110 or Krone type tools
- UL 94V-0 Fire Retardant
- Gloss finish
- UL listed
- ISO/IEC 11801, ANSI/TIA-568.2-D Compliant



## 038-352WH

### SPECIFICATIONS

#### MATERIAL

Case:	ABS, UL 94V-0
RJ45 Jack Housing:	PBT+Glass Fiber, UL 94V-0
Contact Bracket:	PBT+Glass Fiber, UL 94V-0

#### RJ45 JACK CONTACT

Material:	Phosphor Bronze with Nickel plating
Finish:	50 μ" Gold plating on Plug contact area

#### IDC

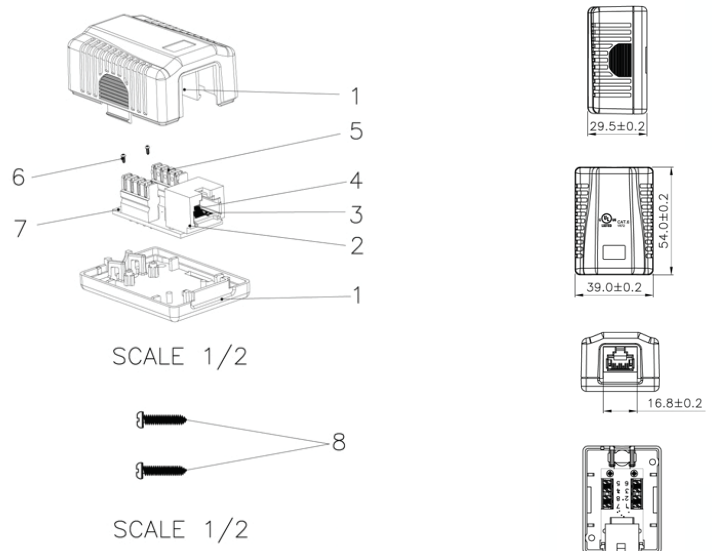
Housing:	PC + Glass Fiber, UL 94V-2
Terminal:	Phosphor Bronze with Tin plating

#### PCB

Screw:	FR4, UL 94V-0
Screw:	M3.5 x 16.0 x ø 6.0mm
Screw:	M2.0 x 6.0 x ø 3.3mm
Insertion Force:	20N max. (IEC 60603-7-4)
Retention Force:	17 lb (7.7 kg) between jack and plug
Operating Temp.:	-10° C to 60° C max

#### PERFORMANCE

Meets or exceeds ISO/IEC 11801, ANSI/TIA-568.2-D



## VERTICAL CABLE

951.696.7772 California  
800.749.2447 Florida  
845.391.8318 New York  
713.322.7242 Texas



verticalcable.com

Rev. 03/2025

Subject to change without notice.