

# CAT6A RJ45 MODULAR PLUG

## 3 PRONGS 50 μ" GOLD PLATED

### FEED THROUGH STYLE



## 012-025/EZF-100

### ELECTRICAL

Voltage Rating:	250 VAC RMS
Current Rating:	2 Amps
Insulation Resistance:	500m Ω
Termination Resistance:	20m Ω Max

### MECHANICAL

Cable to Plug Tensile Strength:	20 lb
Durability:	2000 Mating Cycles

### MATERIAL

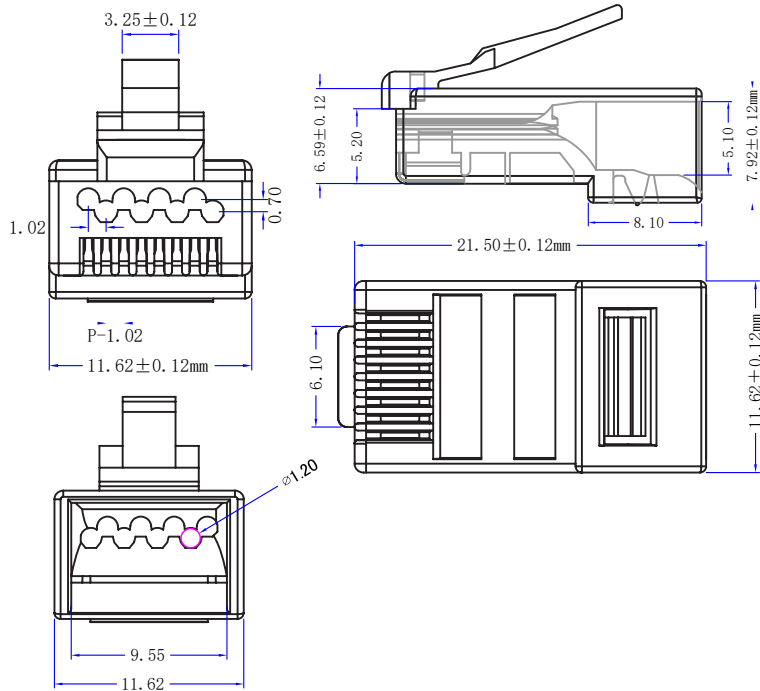
Housing:	Polycarbonate UL94V-2
Color:	Transparent
Contact Blade:	Copper Alloy 3 Prong
Conductor Type:	Solid/Stranded Wire
Conductor Size:	23 AWG
Gold Plating:	50 μ"
Insulation Size:	0.047 in. (1.2 mm)

## DESCRIPTION

CAT6A, RJ45 Modular, 8P 8C,  
50 μ" (Micro-Inches) Gold Plated,  
Feed Through Style

## FEATURES

- Compatible with CAT6A CMXF Cable
- 50 Micro-Inches Gold Plated 3 Prong
- 23 AWG Cables
- For Round Solid / Stranded Wire (8 Conductor)
- Feed Through Design
- Bulk Packaging (100 per Bag)



## VERTICAL CABLE

951.696.7772 California  
800.749.2447 Florida  
845.391.8318 New York  
713.322.7242 Texas

verticalcable.com

Rev. 02/2025

Subject to change without notice.