

CAT6 RJ45 MODULAR PLUG

3 PRONGS 50 μ" GOLD PLATED

FEED THROUGH STYLE



012-023/EZF-100

ELECTRICAL

Voltage Rating:	250 VAC RMS
Current Rating:	2 Amps
Insulation Resistance:	500m Ω
Termination Resistance:	35m Ω Max
	After Environmental Testing

MECHANICAL

Cable to Plug Tensile Strength:	20 lb
Durability:	200 Mating Cycles

MATERIAL

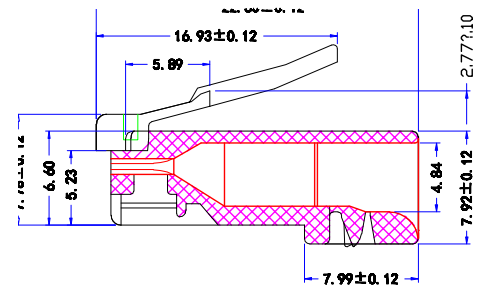
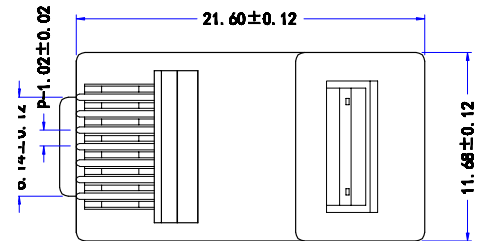
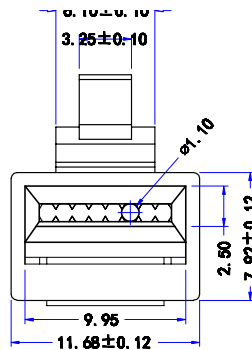
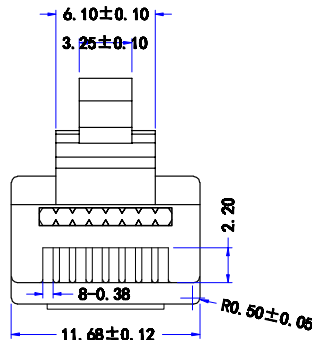
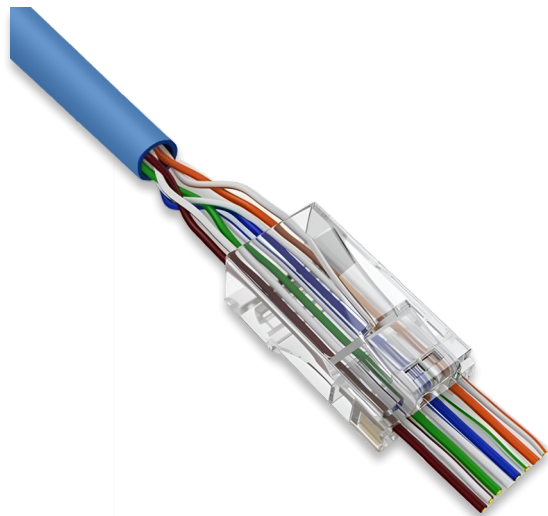
Housing:	Polycarbonate UL94V-2
Color:	Transparent
Contact Blade:	Copper Alloy 3 Prong
Conductor Type:	Solid/Stranded Wire
Conductor Size:	23 AWG
Gold Plating:	50 μ"
Insulation Size:	0.043 in. (1.10 mm)

DESCRIPTION

CAT6 RJ45 Modular Plug | (8C), 50 μ" (Micro-Inches) Gold Plated. Feed Through Style. 100 per bag.

FEATURES

- Compatible with CAT6 CMXF Cable
- Feed Through Design
- 50 Micro-Inches Gold Plated 3 Prong
- 23 AWG Cable
- For Round Solid / Stranded Wire (8 Conductor)
- Bulk Packaging (100 per Bag)



VERTICAL CABLE

951.696.7772 California
800.749.2447 Florida
845.391.8318 New York
713.322.7242 Texas

verticalcable.com

Rev. 02/2025

Subject to change without notice.