

CAT6A RJ45 MODULAR PLUG 3 PRONGS 50 μ" GOLD PLATED



DESCRIPTION

CAT6A RJ45 Modular Plug | (8C), 50 μ" (Micro-Inches) Gold Plated. 100 per bag.

FEATURES

- Compatible with CAT6 / CAT6A CMXF Cable
- 50 Micro-Inches Gold Plated 3 Prong
- 23 AWG Cable
- For Round Solid / Stranded Wire (8 Conductor)
- Bulk Packaging

012-022-100

ELECTRICAL

Insulation Resistance:	100m Ω
Termination Resistance:	20m Ω Max After Environmental Testing

MECHANICAL

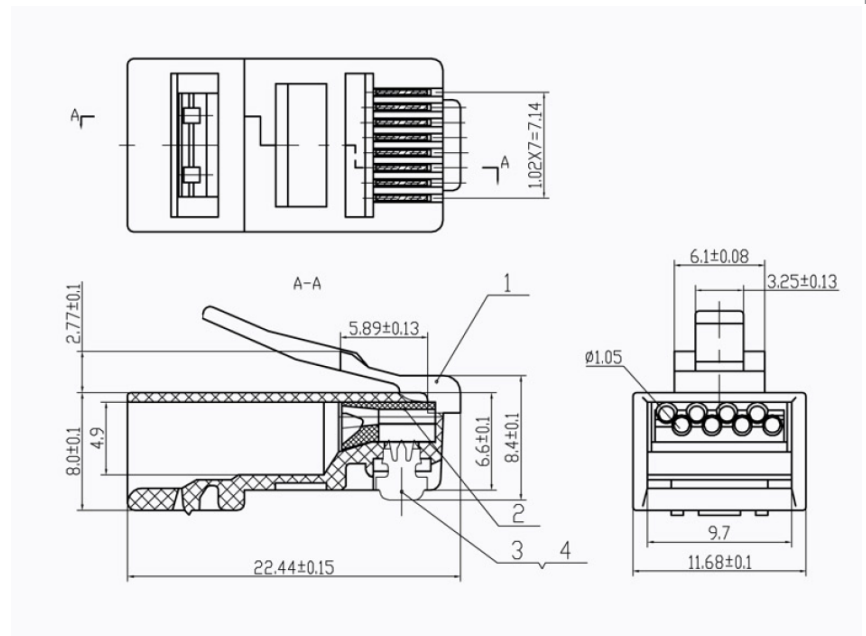
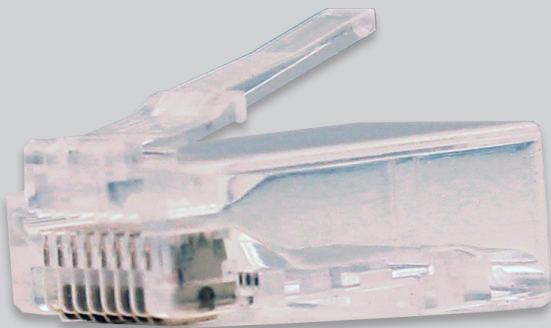
Cable to Plug Tensile Strength:	20 lb
Durability:	200 Mating Cycles

MATERIAL

Housing:	Polycarbonate
Color:	Transparent
Contact Blade:	Copper Alloy 3 Prong
Conductor Type:	Solid/Stranded Wire
Conductor Size:	23 AWG
Gold Plating:	50 μ"

HOUSING O.D.:

0.047 in. (1.2 mm)



VERTICAL CABLE

951.696.7772 California
800.749.2447 Florida
845.391.8318 New York
713.322.7242 Texas

verticalcable.com

Rev. 02/2025

Subject to change without notice.