

CAT6A RJ45 MODULAR PLUG

3 PRONGS 50 μ" GOLD PLATED

WITH LOAD BAR SHIELDED



012-021-100

ELECTRICAL

Insulation Resistance:	100m Ω
Termination Resistance:	20m Ω Max
	After Environmental Testing

MECHANICAL

Cable to Plug Tensile Strength:	20 lb
Durability:	200 Mating Cycles

MATERIAL

Housing:	Polycarbonate
Color:	Transparent
Contact Blade:	Copper Alloy 3 Prong
Conductor Type:	Solid / Stranded Wire
Conductor Size:	23 AWG
Gold Plating:	50 μ"

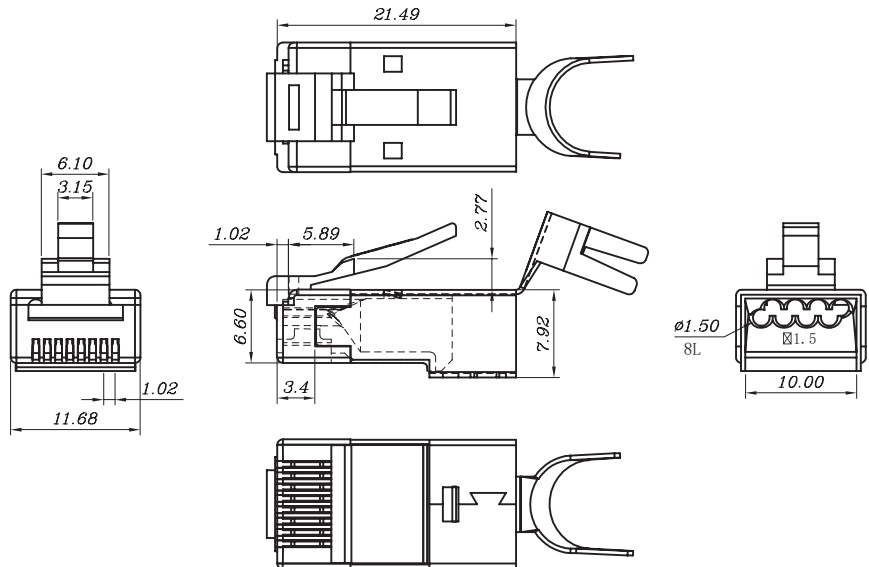
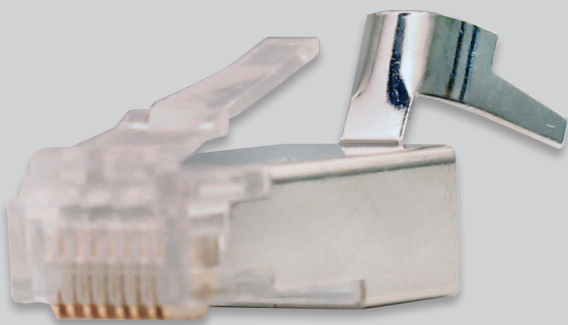
HOUSING O.D.: 0.059 in. (1.5 mm)

DESCRIPTION

CAT6A Shielded Plug, RJ45 Modular Plug | (8C), 50 μ" (Micro-Inches) Gold Plated. Load Bar. 100 per bag.

FEATURES

- Compatible with CAT6 / CAT6A CMXF Cable
- Includes Load Bar
- 50 Micro-Inches Gold Plated 3 Prong
- Shielded for Protection Against EMI/RFI
- 23 AWG Cable
- For Round Solid / Stranded Wire (8 Conductor)
- Bulk Packaging



VERTICAL CABLE

951.696.7772 California
800.749.2447 Florida
845.391.8318 New York
713.322.7242 Texas

verticalcable.com

Rev. 02/2025

Subject to change without notice.