

# CAT5E RJ45 MODULAR PLUG

## 8P8C 3 PRONG 50 μ" GOLD PLATED

### EASY FEED DESIGN



## 011-018/EZF-100

### ELECTRICAL

Voltage Rating:	150 VAC RMS
Current Rating:	1.5 Amps
Insulation Resistance:	1000m Ω Min. @ 500V DC
Termination Resistance:	20m Ω Max After Environmental Testing

### MECHANICAL

Cable to Plug Tensile Strength:	20 lb
Durability:	200 Mating Cycles

### MATERIAL

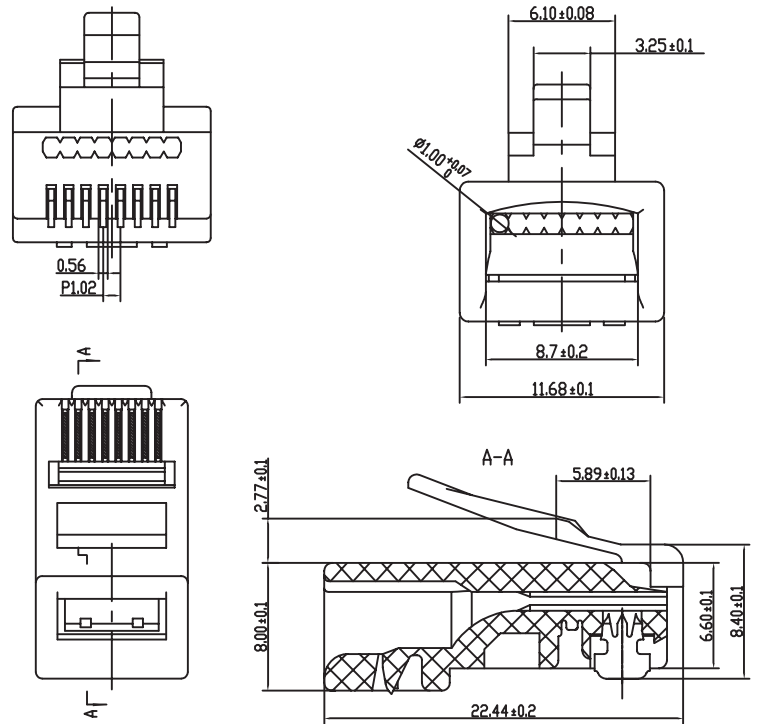
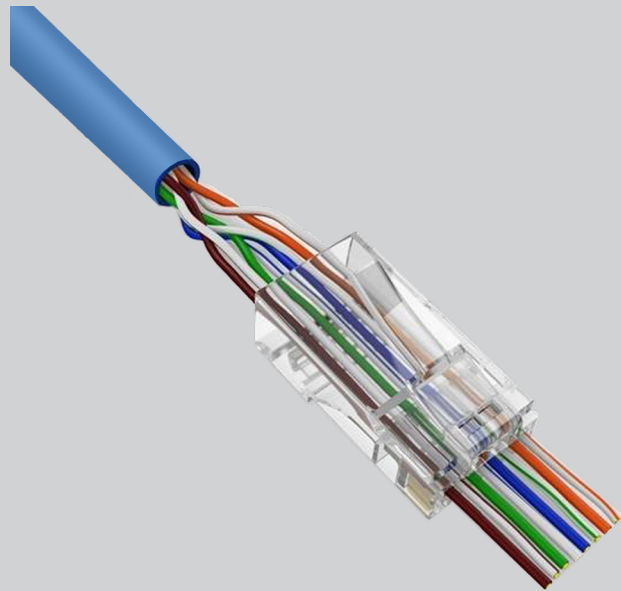
Housing:	Polycarbonate UL94V-2
Color:	Transparent
Contact Blade:	Copper Alloy 3 Prong
Conductor Type:	Solid/Stranded Wire
Conductor Size:	24 AWG - 26 AWG
Insulation Size:	0.039 in. (1.0 mm)
Gold Plating:	50 μ"

## DESCRIPTION

CAT5E Easy Feed Plug, RJ45 Modular Plug | For Solid/Stranded Cable (8C), 50 μ" (Micro-Inches) Gold Plated. 100 per bag.

## FEATURES

- CAT5E Compatibility
- Easy Feed Design
- 50 Micro-Inches Gold Plated 3 Prong
- 24 AWG - 26 AWG Cable
- For Round Solid / Stranded CAT5E (8 Conductor)
- Bulk Packaging



## VERTICAL CABLE

951.696.7772 California  
 800.749.2447 Florida  
 845.391.8318 New York  
 713.322.7242 Texas

verticalcable.com

Rev. 02/2025

Subject to change without notice.