

CAT5E RJ45 MODULAR PLUG

8P8C 3 PRONG 50 μ" GOLD PLATED

SHIELDED

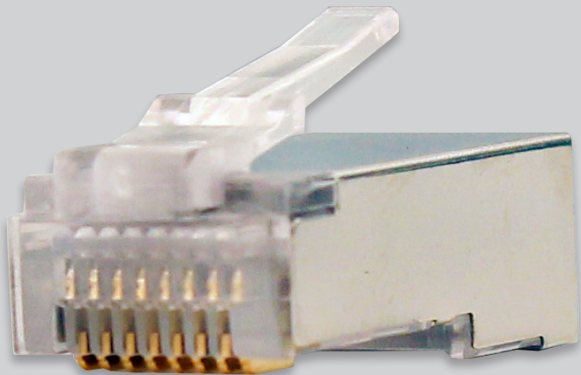


DESCRIPTION

CAT5E Plug, RJ45 Shielded Modular Plug | For Round Solid/Stranded Cable (8C), 50 μ" (Micro-Inches) Gold Plated. 100 per bag.

FEATURES

- CAT5E Compatibility
- 50 Micro-Inches Gold Plated 3 Prong
- 24 AWG - 26 AWG Cable
- For Round Solid / Stranded CAT5E (8 Conductor)
- Bulk Packaging



011-017-100

ELECTRICAL

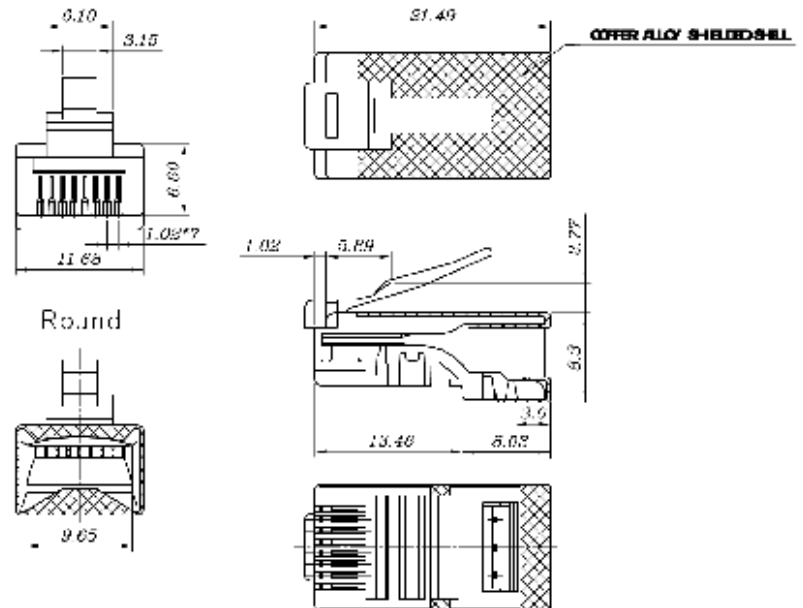
Insulation Resistance:	100m Ω
Termination Resistance:	20m Ω Max
	After Environmental Testing

MECHANICAL

Cable to Plug Tensile Strength:	20 lb
Durability:	200 Mating Cycles

MATERIAL

Housing:	Polycarbonate
Color:	Transparent
Shield:	Copper Alloy Shell
Contact Blade:	Copper Alloy 3 Prong
Conductor Type:	Solid/Stranded Wire
Conductor Size:	24 AWG - 26 AWG
Gold Plating:	50 μ"



VERTICAL CABLE

951.696.7772 California
800.749.2447 Florida
845.391.8318 New York
713.322.7242 Texas

verticalcable.com

Rev. 02/2025

Subject to change without notice.