

# CAT3 RJ12 MODULAR PLUG

## 6P6C 2 PRONG 50 μ" GOLD PLATED



**009-008/66R-100**

### ELECTRICAL

UL Applications:	250 V AC Max, AT 2 Amps
Dielectric Withstanding Voltage:	500 V AC
Insulation Resistance:	100m Ω
Termination Resistance:	20m Ω Max
	After Environmental Testing

### MECHANICAL

Cable to Plug Tensile Strength:	12 lb
Durability:	200 Mating Cycles

### MATERIAL

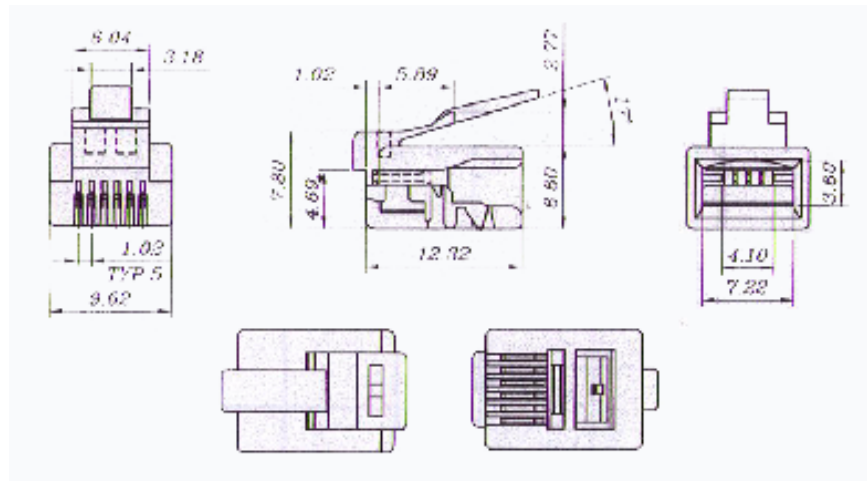
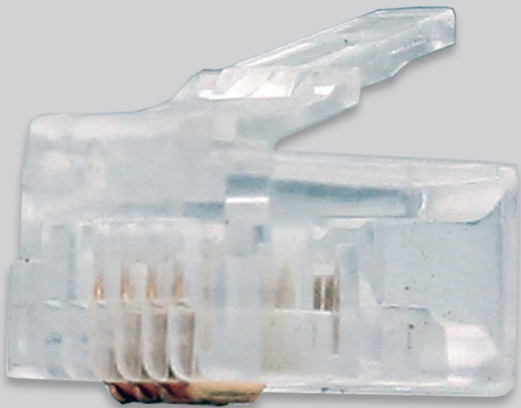
Housing:	Polycarbonate
Color:	Transparent
Contact Blade:	Copper Alloy 2 Prong
Conductor Type:	Solid/Stranded Wire
Conductor Size:	24 AWG - 26 AWG
Gold Plating:	50 u"

## DESCRIPTION

CAT3 Plug, RJ12 Modular Plug | For Round Solid/Stranded CAT3 Telephone Cable (6C), 50 μ" (Micro-Inches) Gold Plated. 100 per bag.

## FEATURES

- 50 Micro-Inches Gold Plated 2 Prong
- 24 AWG - 26 AWG Cable
- For Round Solid/Stranded CAT3 Telephone Cable (6 Conductor)



**VERTICAL CABLE**

951.696.7772 California  
800.749.2447 Florida  
845.391.8318 New York  
713.322.7242 Texas

[verticalcable.com](http://verticalcable.com)

Rev. 02/2025

Subject to change without notice.