

20U OPEN FRAME WALL MOUNT RACK



047-WFM-2026

| Height | Width | Adjustable Depth | Mounting Width | Color | Weight | Capacity (Extended) | Capacity (Closed) |
|-----------|--------|------------------|----------------|-------|---------|---------------------|-------------------|
| 38.80 in. | 20 in. | 18-30 in. | 19 in. | Black | 25.8 lb | 77 lb | 110 lb |

DESCRIPTION

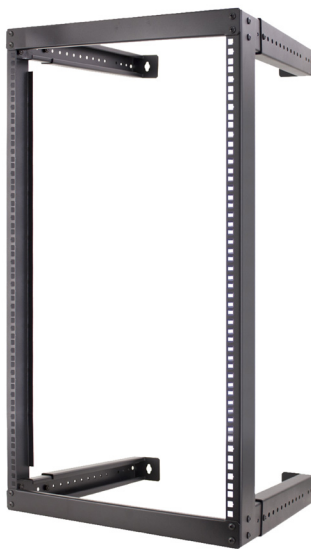
20 RMU Open Frame Wall Mount Rack.
Adjustable Depth.

FEATURES

- Modern, sleek design, high quality steel
- 19 in. EIA rack mount compliant
- M6 screws and cage nuts included
- Featuring adjustable depth from 18 in. to 30 in.
- Assembly required, easy installation

TECHNICAL DATA

| | |
|----------------|--|
| Height | 38.80 in. |
| Width | 20 in. |
| Depth | 18 - 30 in. |
| Mounting Depth | 19 in. Standard EIA |
| Material | Steel |
| Color | Black Powder Finish |
| Weight | 25.8 lbs |
| Mounting Screw | Cagenut |
| Max Capacity | 77 lb (distributed) 110 lb (closed) |



VERTICAL CABLE

951.696.7772 California
800.749.2447 Florida
845.391.8318 New York
713.322.7242 Texas

verticalcable.com

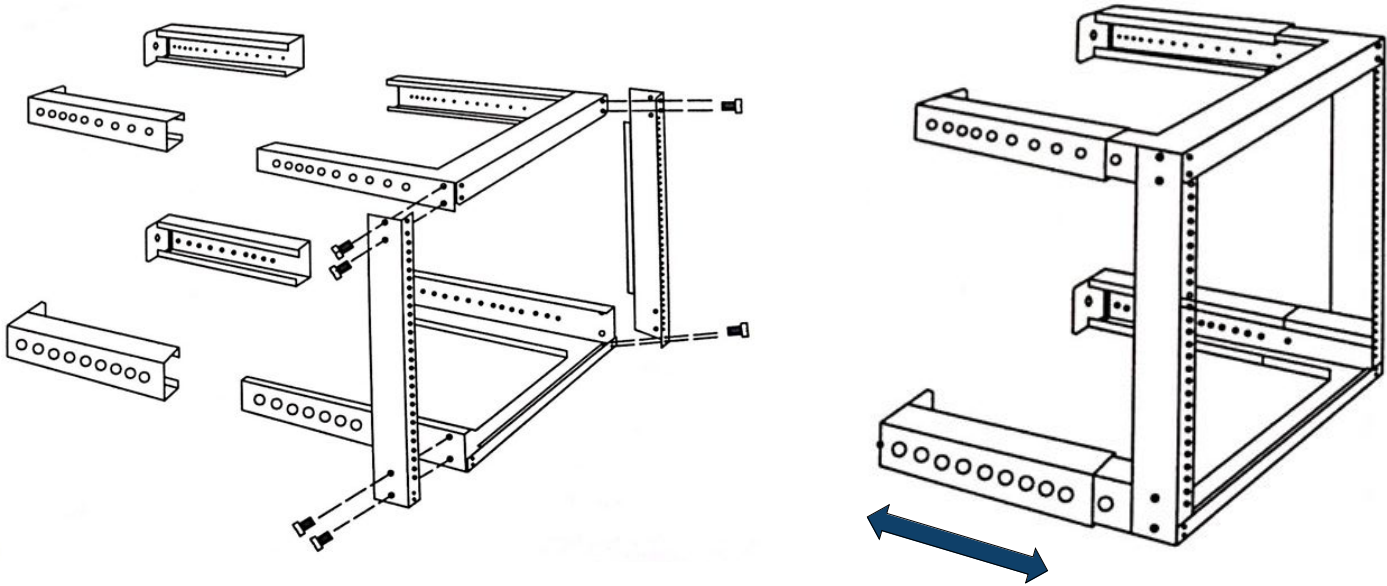
Rev. 01/2025

Subject to change without notice.



VERTICAL CABLE

Open Wall Mount Frame 047-WFM-Series



note: standard 3/8" cage nut compatible

| Model | U/RMS | Height | External Width | Adjustable Depth |
|--------------|-------|--------|----------------|------------------|
| 047-WFM-0626 | 6U | 14.25" | 20" | 18"-30" |
| 047-WFM-0826 | 8U | 17.75" | 20" | 18"-30" |
| 047-WFM-0926 | 9U | 19.50" | 20" | 18"-30" |
| 047-WFM-1226 | 12U | 24.75" | 20" | 18"-30" |
| 047-WFM-1626 | 16U | 31.75" | 20" | 18"-30" |
| 047-WFM-2026 | 20U | 38.80" | 20" | 18"-30" |

VERTICAL CABLE

951.696.7772 California
800.749.2447 Florida
845.391.8318 New York
713.322.7242 Texas

verticalcable.com

Rev. 01/2025

Subject to change without notice.