

9 RMU OPEN FRAME WALL MOUNT RACK



047-WFM-0926

Height	Width	Adjustable Depth	Mounting Width	Color	Weight	Capacity (Extended)	Capacity (Closed)
19.6 in.	20 in.	18-30 in.	19 in.	Black	22.7 lb	55 lb	110 lb

DESCRIPTION

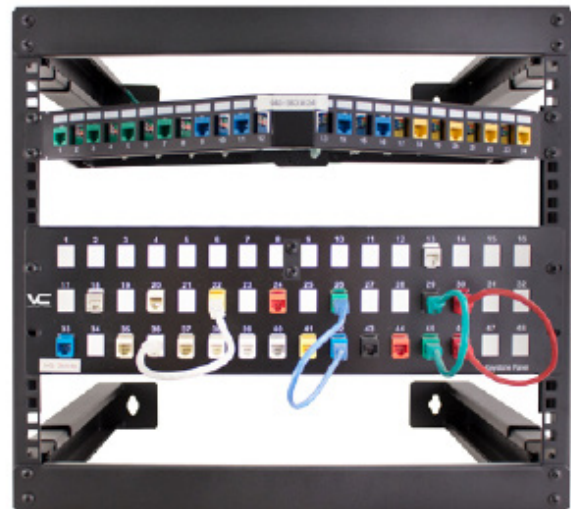
9 RMU Open Frame Wall Mount Rack.
Adjustable Depth.

FEATURES

- Modern, sleek design, high-quality steel
- 19 in. EIA rack-mount compliant
- M6 washers, screws, and cage nuts included
- Featuring adjustable depth from 18 in. to 30 in.
- Assembly required, easy installation

TECHNICAL DATA

Height:	19.50"
Width:	20"
Depth:	18" - 30"
Mounting Depth:	19" Standard EIA
Material:	Steel
Color:	Black Powder Finish
Weight:	22.7LBS
Mounting Screw:	Cagenut
Max Capacity:	55LB (extended) 110LB (closed)



VERTICAL CABLE

951.696.7772 California
800.749.2447 Florida
845.391.8318 New York
713.322.7242 Texas

verticalcable.com

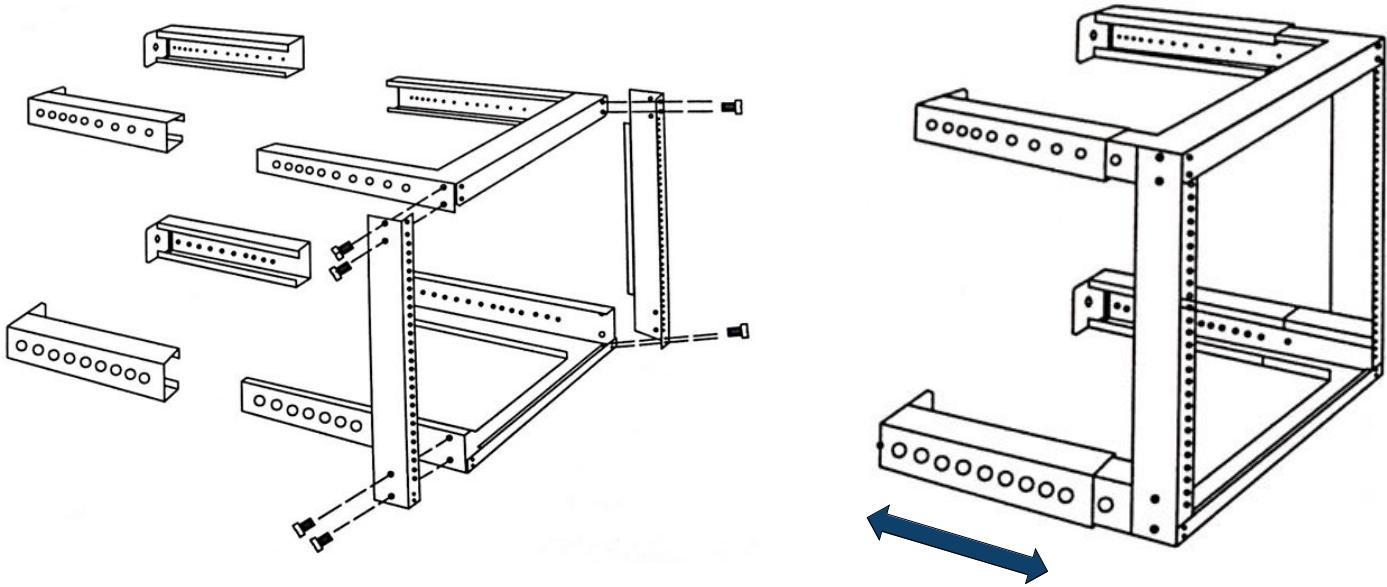
Rev. 01/2025

Subject to change without notice.



VERTICAL CABLE

Open Wall Mount Frame 047-WFM-Series



note: standard 3/8" cage nut compatible

Model	U/RMS	Height	External Width	Adjustable Depth
047-WFM-0626	6U	14.25"	20"	18"-30"
047-WFM-0826	8U	17.75"	20"	18"-30"
047-WFM-0926	9U	19.50"	20"	18"-30"
047-WFM-1226	12U	24.75"	20"	18"-30"
047-WFM-1626	16U	31.75"	20"	18"-30"
047-WFM-2026	20U	38.80"	20"	18"-30"

VERTICAL CABLE

951.696.7772 California
800.749.2447 Florida
845.391.8318 New York
713.322.7242 Texas

verticalcable.com

Rev. 01/2025

Subject to change without notice.