

# 8 RMU OPEN WALL MOUNT



## 047-WFJ-0853

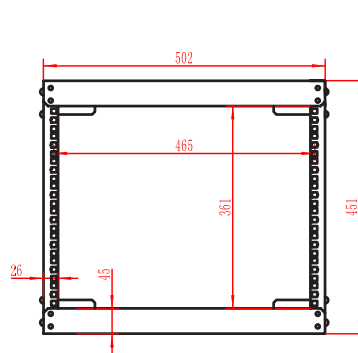
Height	Width	Depth	Color	Weight	Capacity
17.75 in.	20 in.	18 in.	Black	15.6 LB	33 LB

### DESCRIPTION

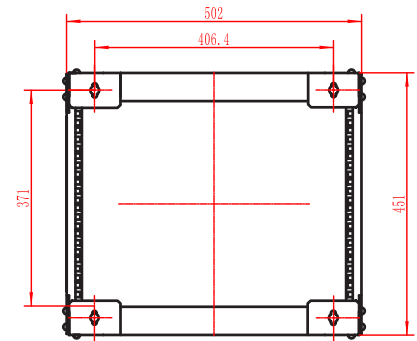
8 RMU Open Wall Mount

### FEATURES

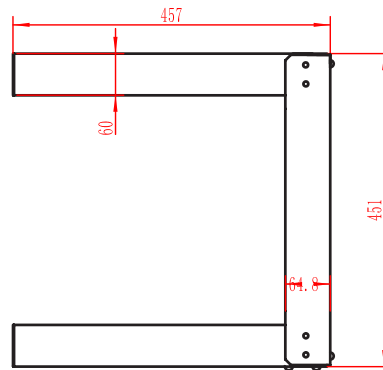
- Steel frame open wall mount with M6 screws and cage nuts.
- Comes unassembled
- Easy assembly



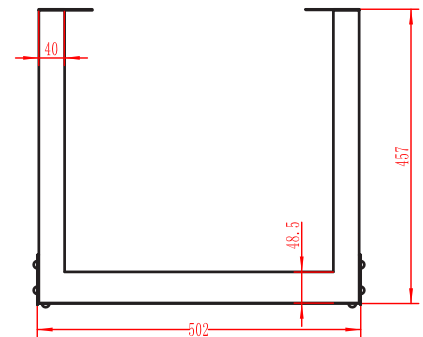
FROM FRONT



FROM REAR



FROM SIDE



FROM TOP



## VERTICAL CABLE

951.696.7772 California  
800.749.2447 Florida  
845.391.8318 New York  
713.322.7242 Texas

[verticalcable.com](http://verticalcable.com)

Rev. 01/2025

Subject to change without notice.