

2 RMU 19 IN. SINGLE-SIDED NON-VENTED SHELF



047-WSS-2400

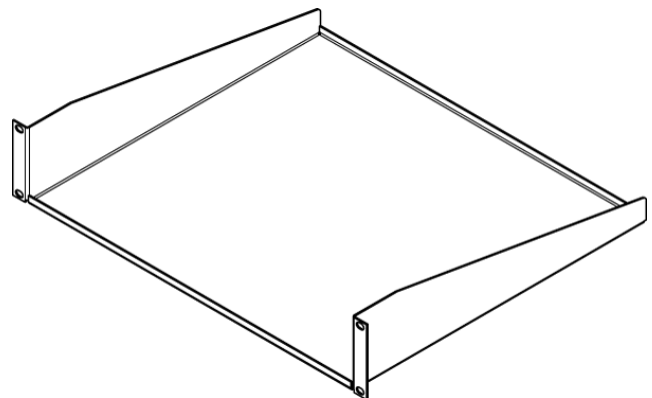
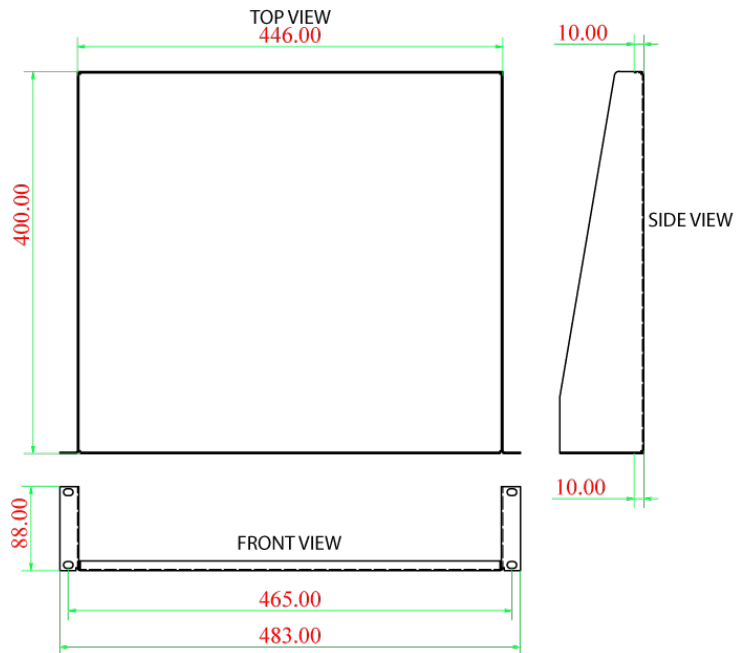
| Height | Width | Depth | Color | Weight | Capacity |
|----------|--------|-----------|-------|--------|----------|
| 3.50 in. | 19 in. | 15.70 in. | Black | 4.4 LB | 44 LB |

DESCRIPTION

2 RMU 19 in. Single-Sided, Non-Vented Shelf
Black

FEATURES

- Fits most standard 19 in. Racks and Wall Mounts
- Made from 1.5 mm EG Steel
- Comes with 4 sets of M6 Washers/Screws/ Cage Nuts
- Loading Capacity 50 lbs
- Suitable for network electronics/components



VERTICAL CABLE

951.696.7772 California
800.749.2447 Florida
845.391.8318 New York
713.322.7242 Texas

verticalcable.com

Rev. 12/2024

Subject to change without notice.