

# 1 RMU 19 IN. SINGLE-SIDED NON-VENTED SHELF



## 047-WSS-1300

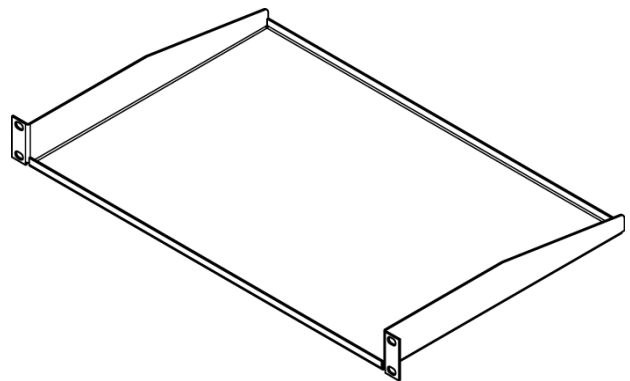
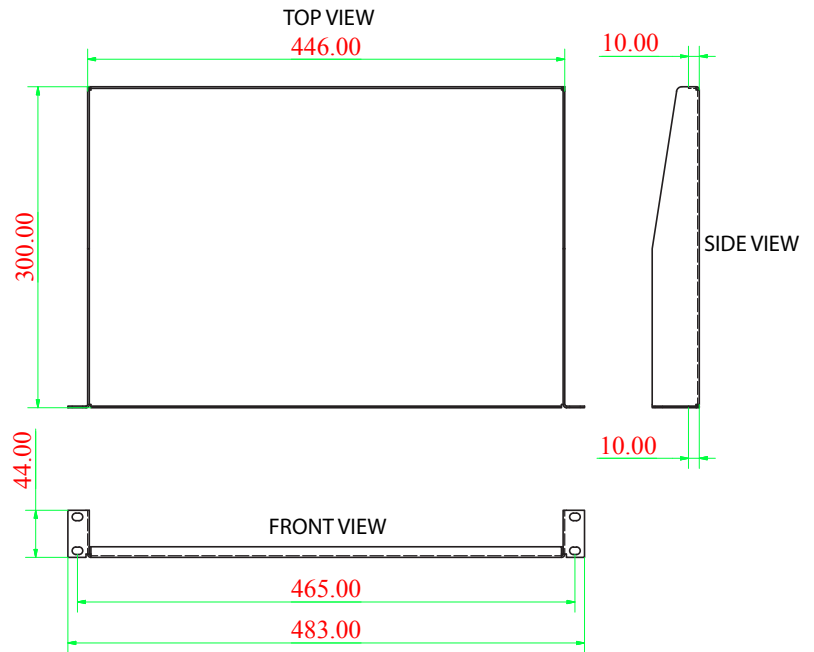
Height	Width	Depth	Color	Weight	Capacity
1.75 in.	19 in.	12 in.	Black	3.9 LB	30.8 LB

### DESCRIPTION

1 RMU 19 in. Single-Sided, Non-Vented Shelf  
Black

### FEATURES

- Fits most standard 19 in. Racks and Wall Mounts
- Made from 1.5 mm EG Steel
- Comes with 4 sets of M6 Washers/Screws/ Cage Nuts
- Loading Capacity 50 lbs
- Suitable for network electronics/components



## VERTICAL CABLE

951.696.7772 California  
800.749.2447 Florida  
845.391.8318 New York  
713.322.7242 Texas

[verticalcable.com](http://verticalcable.com)

Rev. 12/2024

Subject to change without notice.