

20 RMU ALUMINUM OPEN RACK - 2 POST



047-WOS-0220

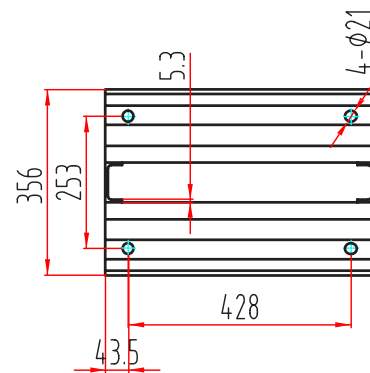
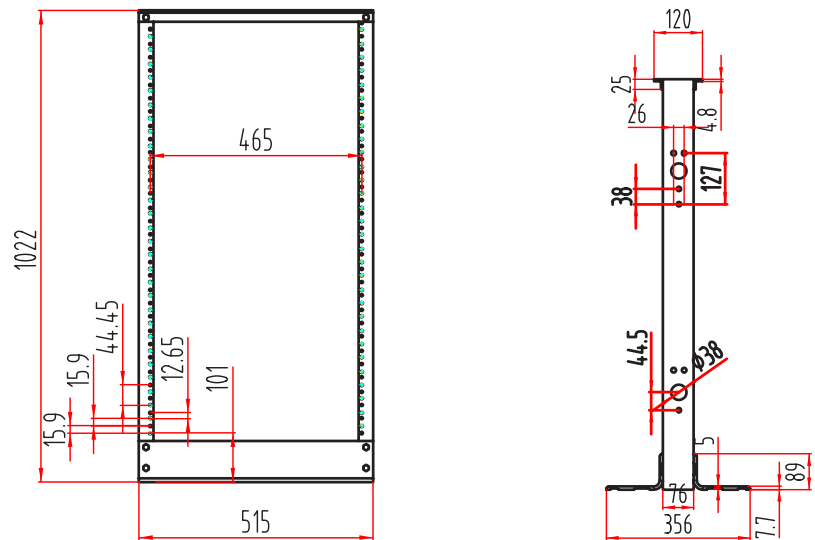
Height	Width	Depth	Color	Weight	Capacity
40 in.	20 in.	14 in.	Black	21 LB	440 LB

DESCRIPTION

20 RMU Aluminum Open Rack - 2 Post

FEATURES

- Pre-drilled holes for #12-24 screws
- Includes 10 screws and washers
- Multiple-vendor equipment compatibility
- Aluminum frame design for strength and rigidity
- Static-resistant powder coat finish
- Unit markings on front and rear posts



VERTICAL CABLE

951.696.7772 California
 800.749.2447 Florida
 845.391.8318 New York
 713.322.7242 Texas

verticalcable.com

Rev. 12/2024

Subject to change without notice.