

WORK AREA

Wall Outlets and Surface-Mount Boxes Keystone Modules



264-KMB0[x]-[yy]-[zz] Optical Fiber Keystone Module

Black Bezels

	BEIGE	AQUA	H. VIOLET	BLUE	GREEN	
SC SX	264-KMB01-3A-BK	264-KMB01-3C-BK	264-KMB01-3D-BK	264-KMB01-3Z-BK	264-KMB01-3Y-BK	
LC DX	264-KMB01-4A-BK	264-KMB01-4C-BK	264-KMB01-4D-BK	264-KMB01-4Z-BK	264-KMB01-4Y-BK	

White Bezels

	BEIGE	AQUA	H. VIOLET	BLUE	GREEN	
SC SX	264-KMB01-3A-WH	264-KMB01-3C-WH	264-KMB01-3D-WH	264-KMB01-3Z-WH	264-KMB01-3Y-WH	
LC DX	264-KMB01-4A-WH	264-KMB01-4C-WH	264-KMB01-4D-WH	264-KMB01-4Z-WH	264-KMB01-4Y-WH	

White Bezels – Shuttered

		AQUA	BLUE	GREEN	
	SC SX	264-KMB03-3C-WH	264-KMB03-3Z-WH	264-KMB03-3Y-WH	
	LC DX	264-KMB03-4C-WH	264-KMB03-4Z-WH	264-KMB03-4Y-WH	

NOTE: Bulk packing is available (any quantities larger than one unit), all units are packed in one bag/box without individual bags, one product label per bag/box. For bulk packing, please, add a note to the order.

WORK AREA

Wall Outlets and Surface-Mount Boxes

Keystone Modules



CHARACTERISTICS

Compatibility: all Vertical Cable faceplates and surface-mount boxes designed to mount keystone modules

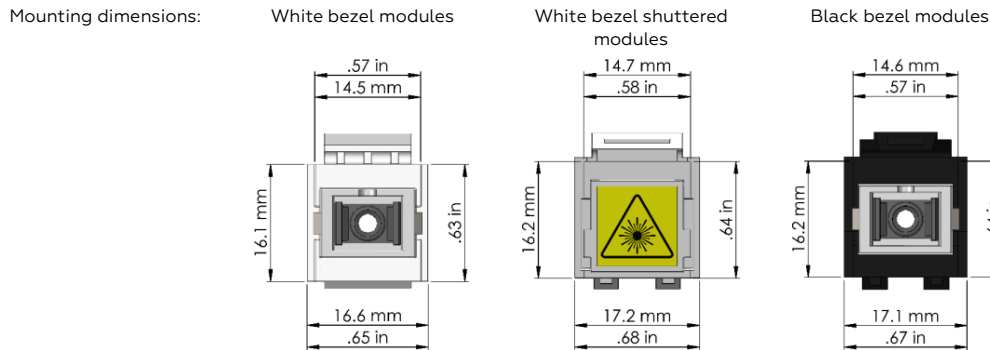
Fiber types: SM 9/125;
MM 50/125;
MM 62.5/125.

Adapters: Zirconia ceramic split sleeves;
one-piece body.

Adapter orientation: key/latch up.

Insertion loss (IL): 0.3 dB or lower (when used with standard-compliant plugs).

Return loss (RL): UPC: ≥ 55 dB (when used with standard-compliant plugs);
APC: ≥ 65 dB (when used with standard-compliant plugs).



Bezel material: acrylonitrile butadiene styrene (ABS).

Bezel compliance: Regulation (EC) No 1907/2006 (REACH);
Directive 2011/65/EU Am. 2015/863/EU (RoHS2).

Adapter compliance: IEC 61754-4 (type SC connector family);
IEC 61754-20 (type LC connector family);
Regulation (EC) No 1907/2006 (REACH);
Directive 2011/65/EU Am. 2015/863/EU (RoHS2);
ANSI/UL 94 V-0.

Environmental: operating temperature: -20°C – $+70^{\circ}\text{C}$ (-4°F – $+158^{\circ}\text{F}$);
operating humidity: $\leq 95\%$ RH non-condensing.

APPLICATIONS

