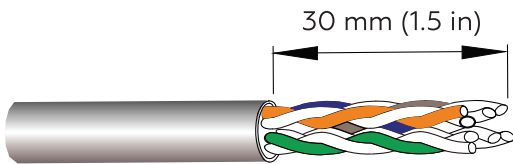


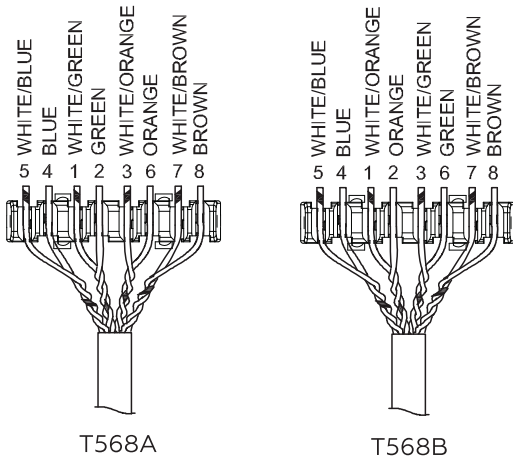
## CAT6A - 24-PORT 110-STYLE BLOCK PATCH PANEL UNSHIELDED

**042-381/U6A/24**

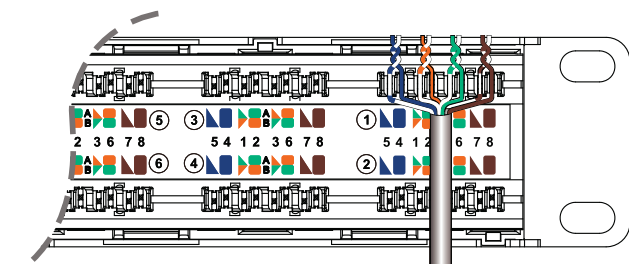
Remove the cable jacket to approximately 30 mm (1.5 in), ensuring that the conductors' insulation is not cut through.



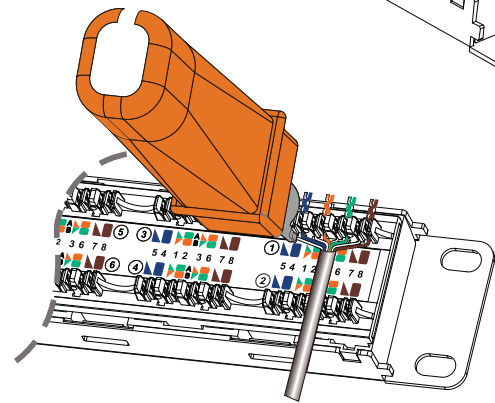
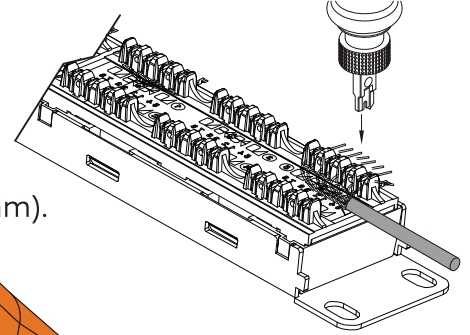
Arrange twisted pairs according to the desired wiring scheme (e.g., T568A, T568B, etc.).



By separating pairs at convenient points, place conductors into color-matching slots of the 110-style connecting block.

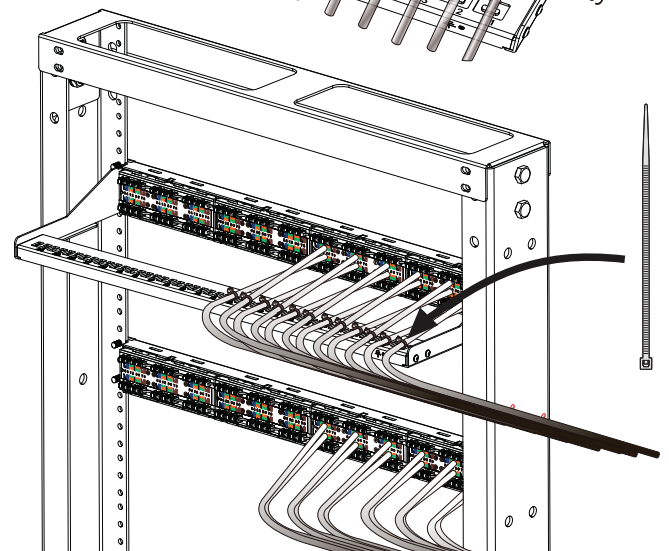
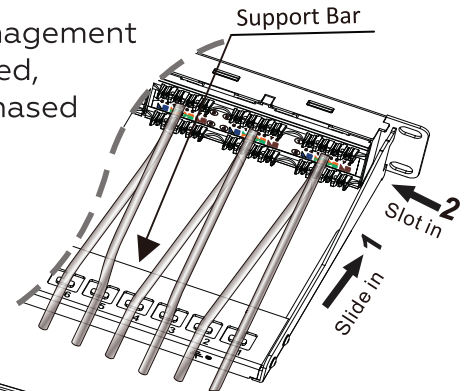


Using a 110 punch-down tool, terminate all conductors. Ensure that the conductor excess is trimmed cleanly, the conductors are not bending over the IDC blades, and the distance between the termination point to the nearest twist node is less than 0.5 in (13 mm).



Using cable ties or Velcro™ tie wraps, secure cables to the cable management bar, ensuring there is no tension at the termination points.

Note: Cable management bar is not included, but can be purchased separately.  
Compatible part number:  
044-2396/1U.



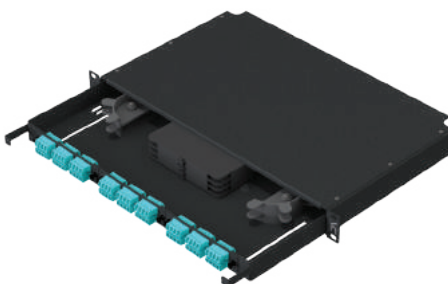
# OTHER POPULAR RACK-MOUNT PRODUCTS BY VERTICAL CABLE



**267-RES01 SERIES**  
Optical Fiber  
Rack-Mount Enclosure,  
Standard-Series, LGX  
3-position (1-RMU)  
6-Position (2-RMU)  
12-Position (4-RMU)



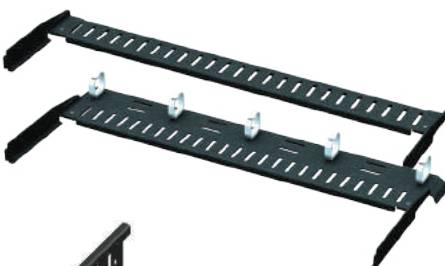
**267-REB01-1C1**  
Optical Fiber  
Rack-Mount Enclosure,  
Budget-Series, LGX,  
Three-Position, 1 RMU.



**266-PMD01-1A3A**  
Optical Fiber  
Rack-Mount Panel,  
LGX, Three-Position,  
1 RMU.



**266-CFM SERIES**  
Cable Management  
Bars - General Pur-  
pose and Optical  
Fiber



**251-ERA01-B2I**  
DIN-Rail to Equipment  
Rack Adapter Bracket.



**Single-Sided Shelves**  
**047-WSS SERIES**  
Non-Vented



**047-WVS SERIES**  
Vented

