

12U OPEN WALL MOUNT OPEN FRAME FRONT SWING OUT



SKU: 047-WSG-1254

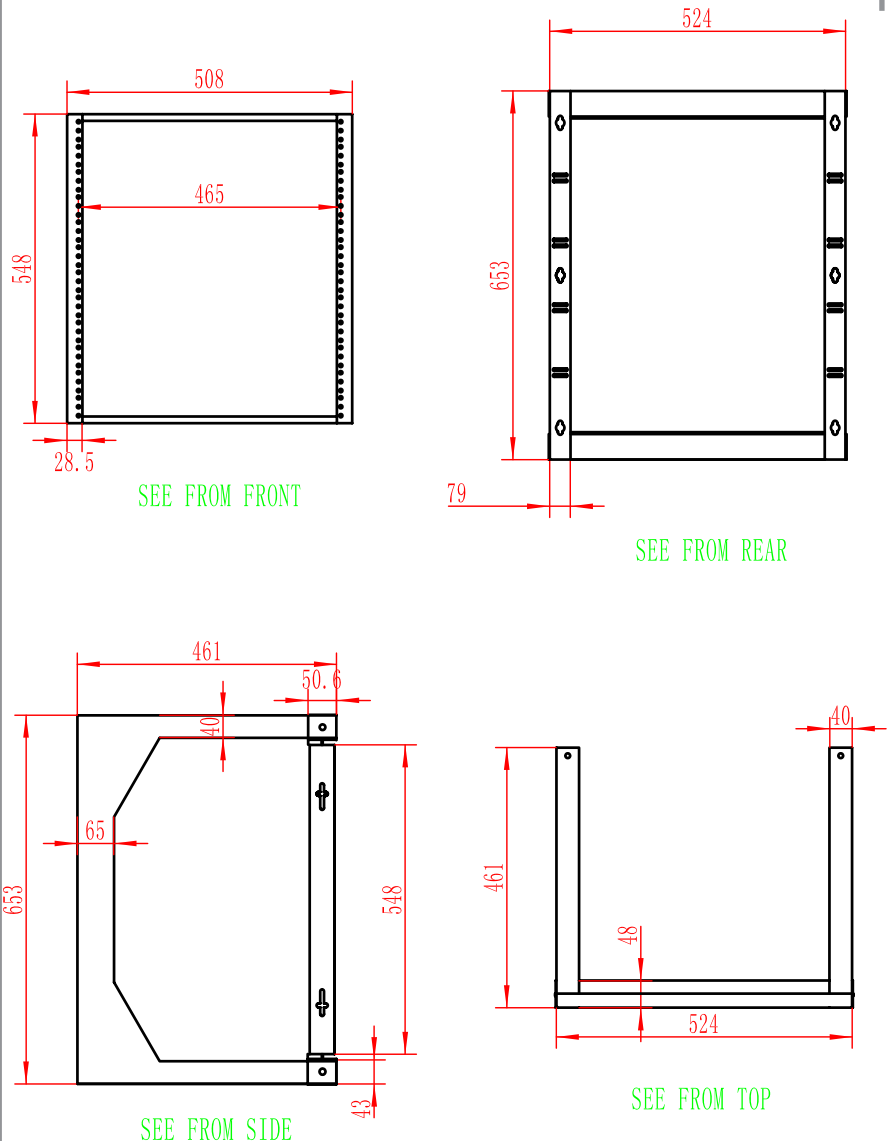
Height	Width	Depth	Color	Weight	Capacity
25.70"	20.65"	18"	Black	LB	110 LB

DESCRIPTION

12U Wall Mount Open Frame Rack.
Front Swing Out

FEATURES

- Designed for EIA-Standard 19 inch rack equipment
- Allows easy access to equipment and cabling
- Heavy Duty Steel Frame - Powder-Coated Finish
- Easy to assemble and mount
- Pre drilled holes for screws
- 20 Screws and Washers included



VERTICAL CABLE

951.696.7772 California
800.749.2447 Florida
845.391.8318 New York

www.verticalcable.com

Rev. 06/2017

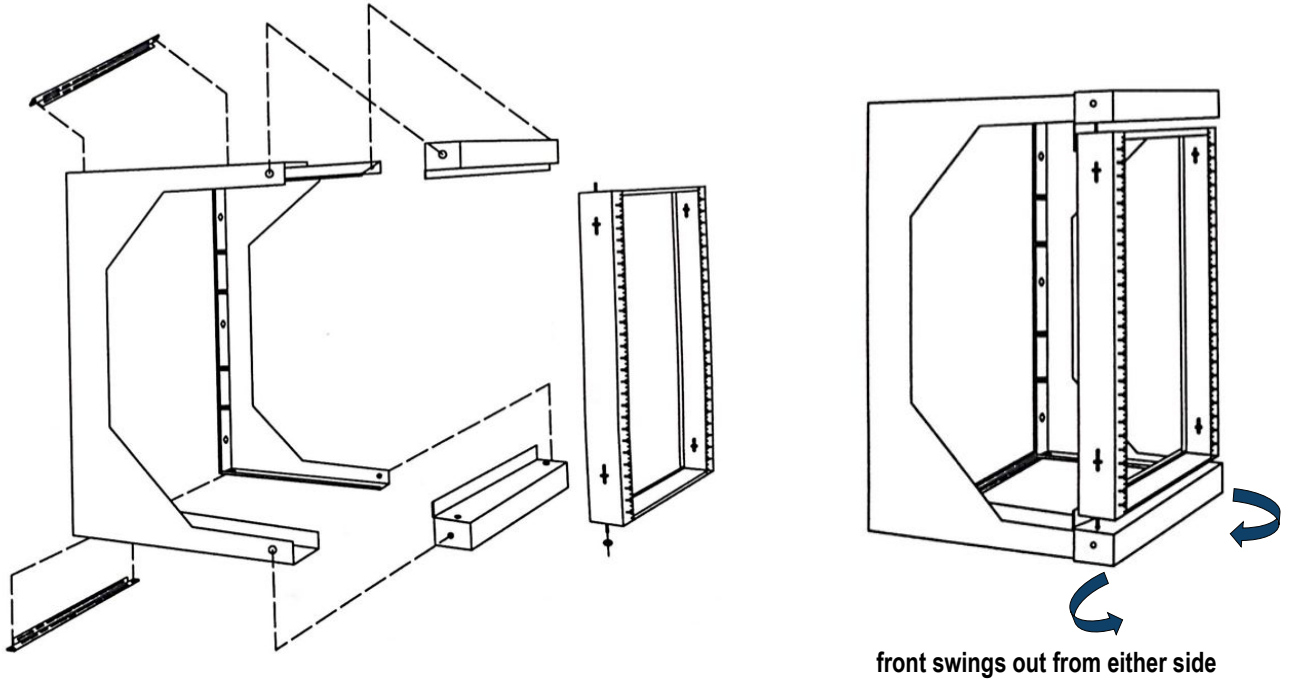
Specs subject to change without notice.

It is the sole responsibility of the user to have the most current specs.



VERTICAL CABLE

Open Wall Mount Frame 047-WSG-Series



note: standard 3/8" cage nut compatible

Model	U/RMS	Height	External Width	Depth
047-WSG-0654	6U	15.20"	20.65"	18"
047-WSG-0854	8U	18.20"	20.65"	18"
047-WSG-0954	9U	20.50"	20.65"	18"
047-WSG-1254	12U	25.70"	20.65"	18"
047-WSG-1654	16U	32.70"	20.65"	18"
047-WSG-2054	20U	39.75"	20.65"	18"